

# Parts Catalog

## Phoenix 28/30/33

### 28"-33" Walk Behind Scrubber



## Table of Contents

|  |    |
|--|----|
| Chassis, cpl. part 1 (97094783-7311-22-23-1) .....                           | 4  |
| Chassis, cpl. part 2 (97094783-2 7311-43-44) .....                           | 10 |
| Chassis, cpl. part 3 - Suction unit connection (97094783-3 7311-43-44) ..... | 14 |
| Battery tray (97099956) .....  | 29 |
| Hopper cpl. part1 - Traverse (97112148-1) .....                              | 31 |
| Hopper cpl. part2 - Lifting device (97112148-2) .....                        | 33 |
| Suction (97092811) .....   | 37 |
| Squeegee operation (Available! No.: 00009000) (00009000) .....               | 39 |
| Squeegee lock (97099931) .....   | 41 |
| Squeegee 1100 mm cpl. (from appr. 4/2012) (97115596) .....                   | 43 |
| Operation handle (97096523) .....  | 47 |
| Electric part 1 (97101968-1) .....   | 51 |
| Electric part 2 (97101968-2) .....   | 55 |
| Battery charger 24V 22A (97099436) .....                                     | 57 |
| Labels (97121412) .....  | 59 |
| Optional brush decks (Opt 7311-43-44) .....                                  | 61 |

This manual covers all standard Phoenix 28/30/33 models:

**Model No.**

The machine will provide excellent service. However, the best results will be obtained if:

- The machine is operated with reasonable care.
- The machine is maintained regularly per the maintenance schedule in the instruction manual provided.
- The machine is maintained with PowerBoss OEM supplied or equivalent parts.

All right side and left side references to the machine are determined by facing the direction of forward travel. Parts may be ordered by phone or mail from any PowerBoss parts and service center. Before ordering parts or supplies be sure to have your machine model number and serial number handy.

Fill out the data block below for future reference.

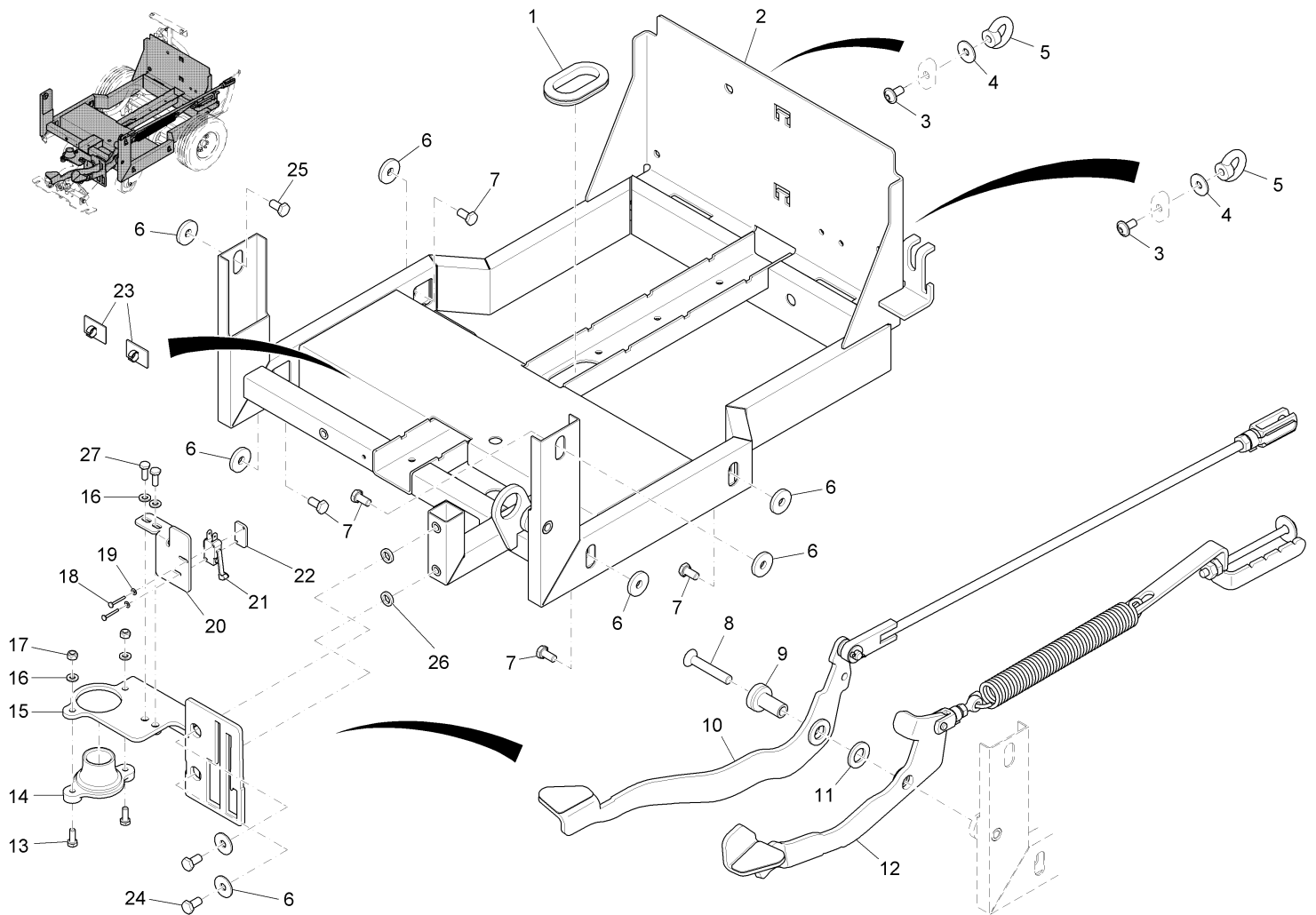
|  |                  |
|--|------------------|
| MACHINE DATA<br>Fill Out At Installation |                  |
| Model:                                   | Phoenix 28/30/33 |
| Serial Number:                           | _____            |
| Sales Rep or Dealer                      | _____            |
| Date of Install:                         | _____            |
| Manual p/n:                              | 988745PB         |

All information contained in this manual is current at the time of printing However, PowerBoss Reserves the right to make changes at any time without notice.

© 2012, Powerboss, Inc., Printed in USA

All rights reserved. This manual may not be copied or reproduced in any form, without the written permission of PowerBoss, Inc.

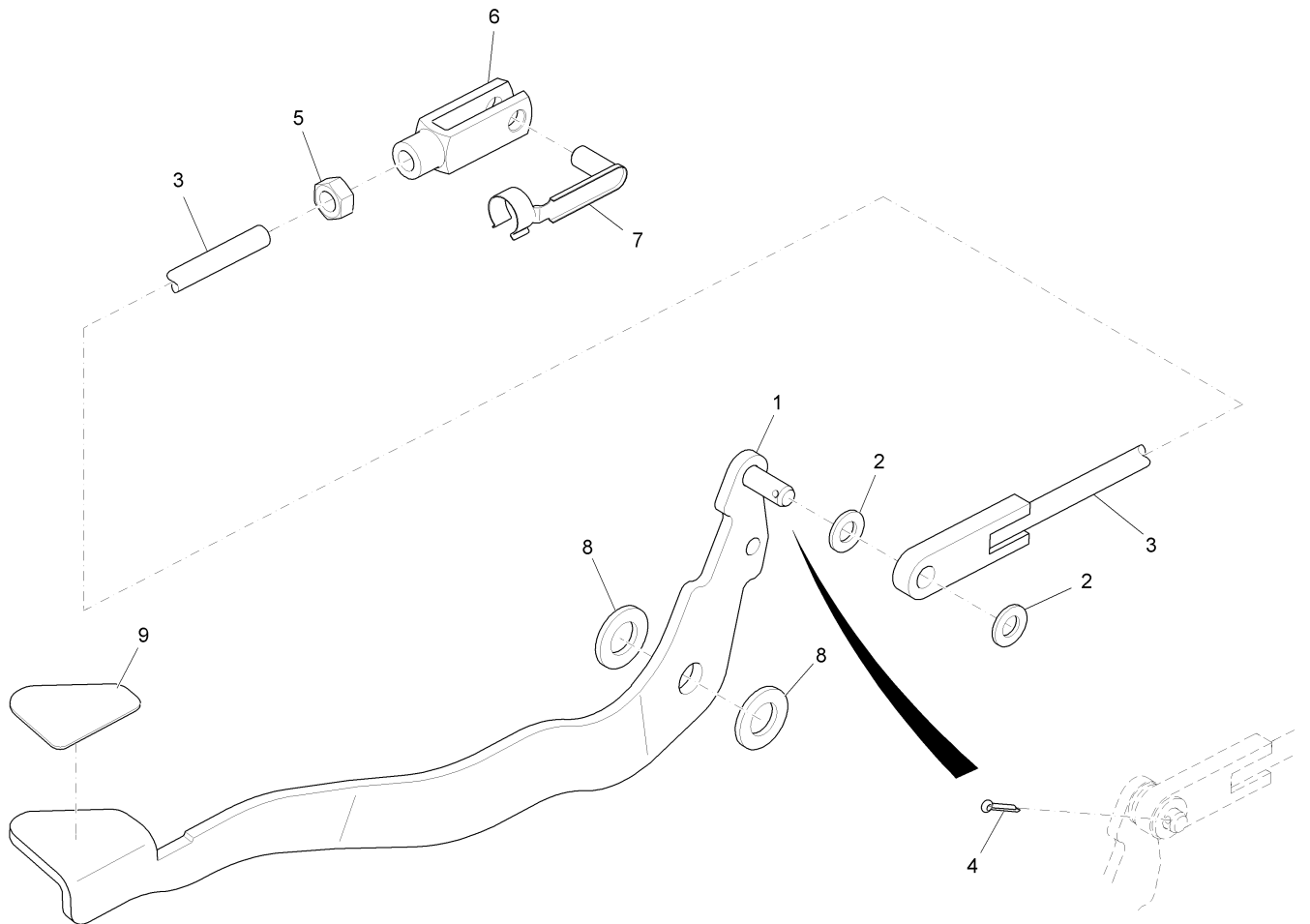
Chassis, cpl. part 1 (97094783-7311-22-23-1)



**Chassis, cpl. part 1 (97094783-7311-22-23-1)**

| Item | Part number     | Description                      | Qty.          | Remarks |
|------|-----------------|----------------------------------|---------------|---------|
| 1    | 01078440        | Grommet                          | 1             |         |
| 2    | 03007640        | Chassis                          | 1             |         |
| 3    | 01006820        | Lens flange screw                | 2             |         |
| 4    | 00042900        | Washer                           | 4             |         |
| 5    | 01078450        | Nut                              | 2             |         |
| 6    | 00047990        | Disk wheel                       | 10            |         |
| 7    | 00053080        | Hexagon screw                    | 8             |         |
| 8    | 01078140        | Countersunk screw                | 1             |         |
| 9    | 01077800        | Bushing                          | 1             |         |
| 10   | <b>97093181</b> | <b>Lifting pedal</b>             | <b>Page 6</b> |         |
| 11   | 00053790        | Washer                           | 1             |         |
| 12   | <b>97093272</b> | <b>Brush pression adjustment</b> | <b>Page 8</b> |         |
| 13   | 00053020        | Hexagon screw                    | 2             |         |
| 14   | 01077780        | Bushing                          | 1             |         |
| 15   | 01079680        | Sheet metal                      | 1             |         |
| 16   | 00053730        | Washer                           | 4             |         |
| 17   | 00051520        | Hexagon nut                      | 2             |         |
| 18   | 00022180        | Hex.bolt                         | 2             |         |
| 19   | 00553740        | Washer                           | 2             |         |
| 20   | 01170010        | Retainer                         | 1             |         |
| 21   | 00975510        | Micro switch                     | 1             |         |
| 22   | 01074840        | Thread base plate                | 1             |         |
| 23   | 01143190        | Cable clip                       | 2             |         |
| 24   | 00053100        | Hexagon screw                    | 2             |         |
| 25   | 00553690        | Hex.bolt                         | 1             |         |
| 26   | 01079670        | Spacer sleeve                    | 2             |         |
| 27   | 00053010        | Hex.bolt                         | 2             |         |

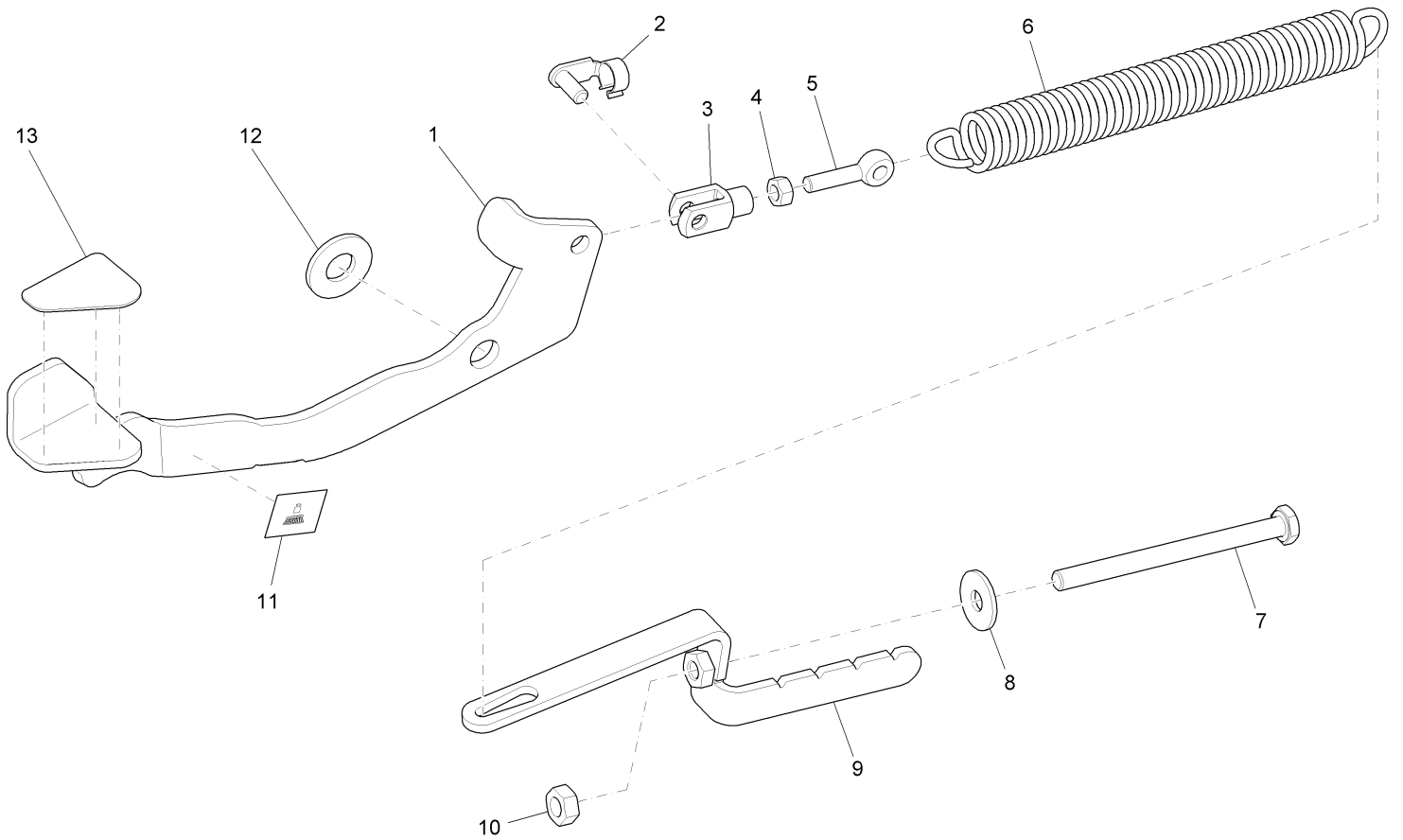
Lifting pedal (97093181)



**Lifting pedal (97093181)**

| Item | Part number | Description   | Qty. | Remarks |
|------|-------------|---------------|------|---------|
| 1    | 01170020    | Lifting pedal | 1    |         |
| 2    | 00053760    | Washer        | 2    |         |
| 3    | 01077930    | Rod           | 1    |         |
| 4    | 00551410    | Cotter pin    | 1    |         |
| 5    | 00053360    | Hexagon nut   | 1    |         |
| 6    | 00925430    | Fork yoke     | 1    |         |
| 7    | 00925420    | Bolt          | 1    |         |
| 8    | 01078240    | Washer        | 2    |         |
| 9    | 01078560    | Decal         | 1    |         |

**Brush pression adjustment (97093272)**

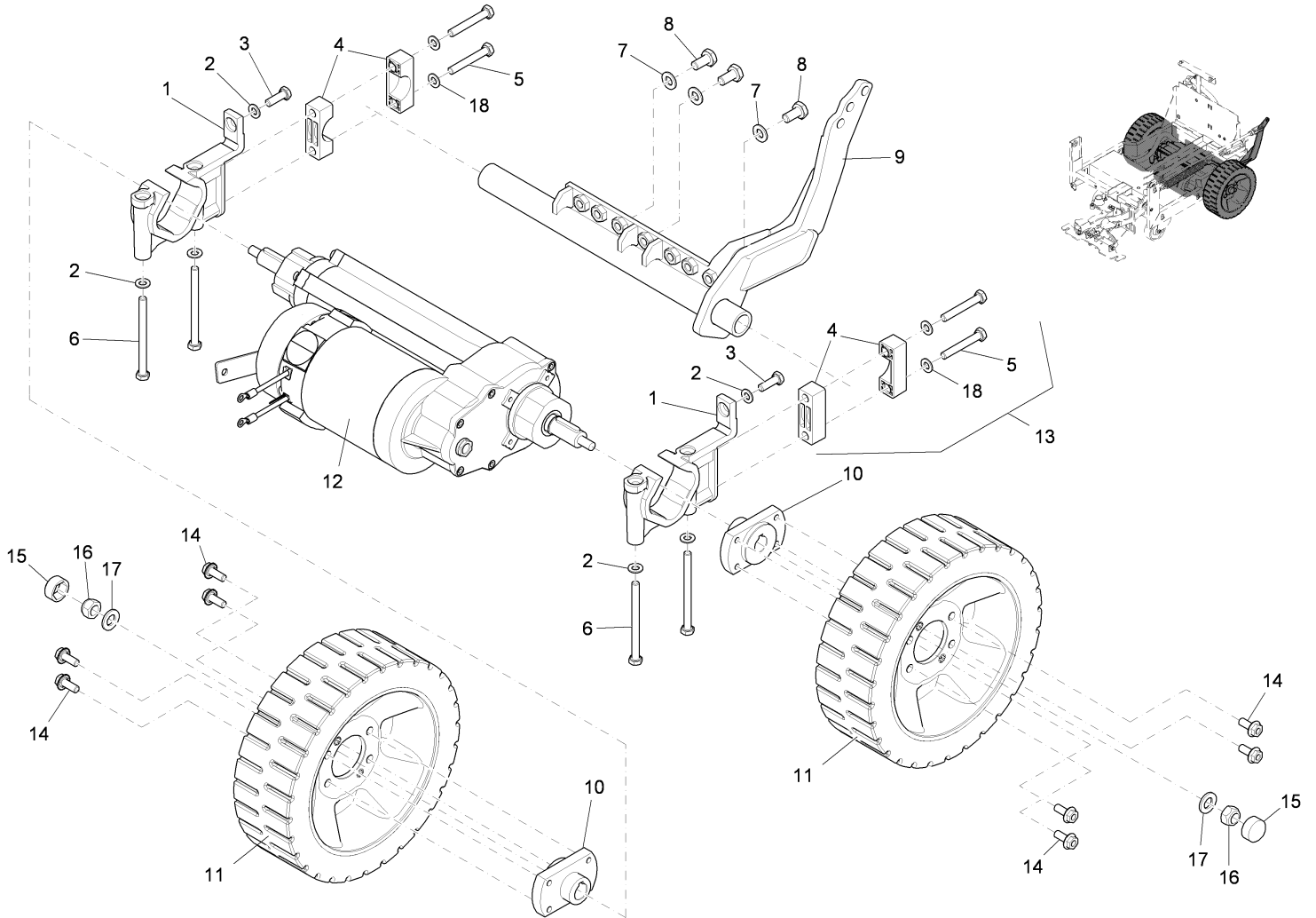




**Brush pression adjustment (97093272)**

| Item | Part number | Description          | Qty. | Remarks |
|------|-------------|----------------------|------|---------|
| 1    | 01078550    | Pedal                | 1    |         |
| 2    | 00151400    | Bolt                 | 1    |         |
| 3    | 00151440    | Fork yoke            | 1    |         |
| 4    | 00053350    | Hexagon nut          | 1    |         |
| 5    | 00735690    | Eye bolt             | 1    |         |
| 6    | 01077770    | Tension spring       | 1    |         |
| 7    | 01031550    | Hexagon screw        | 1    |         |
| 8    | 00046520    | Washer               | 1    |         |
| 9    | 01078500    | Sheet metal          | 1    |         |
| 10   | 00053360    | Hexagon nut          | 1    |         |
| 11   | 01074580    | Decal BRUSH PRESSURE | 1    |         |
| 12   | 01078240    | Washer               | 1    |         |
| 13   | 01078560    | Decal                | 1    |         |

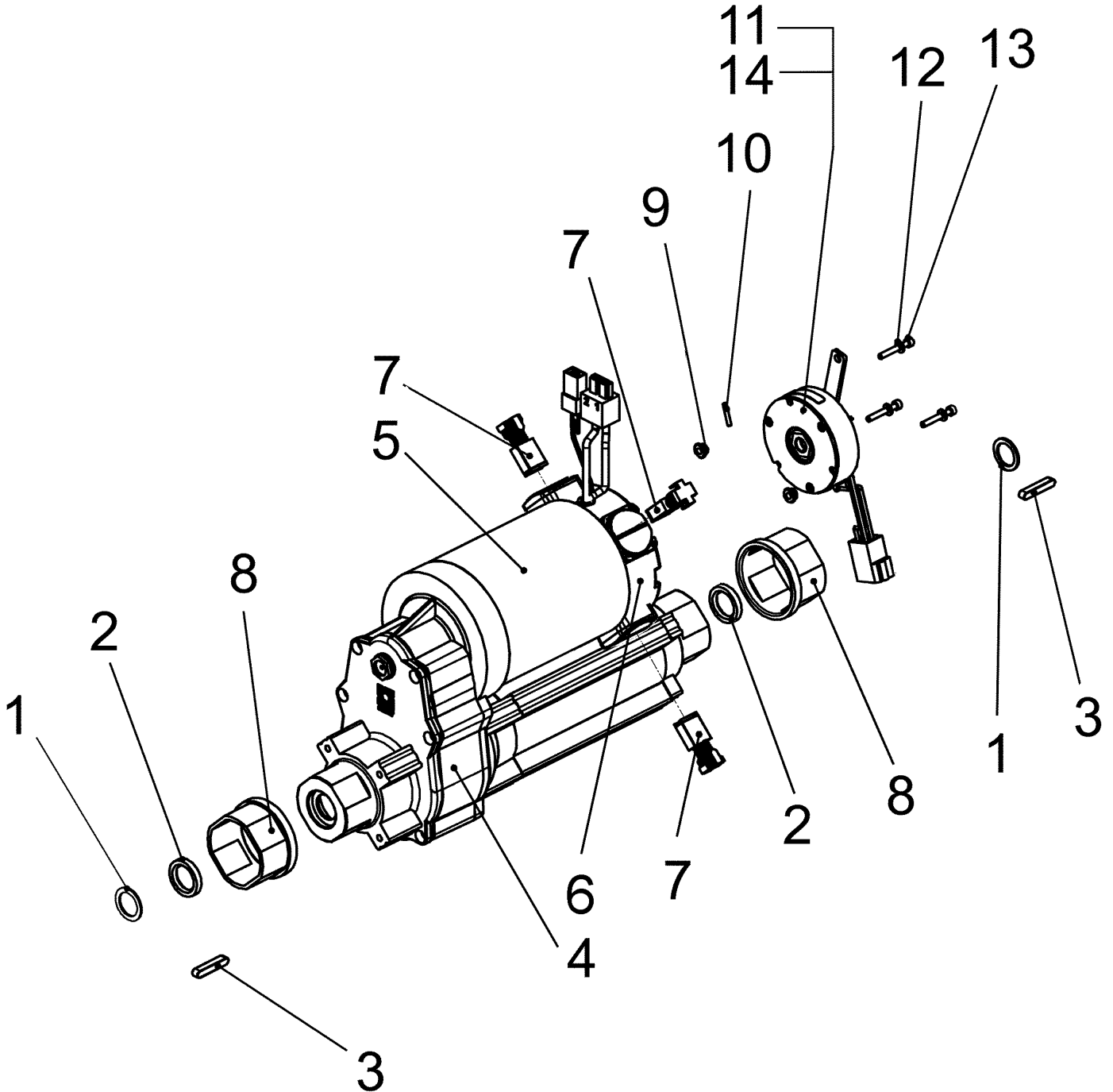
Chassis, cpl. part 2 (97094783-2 7311-43-44)



**Chassis, cpl. part 2 (97094783-2 7311-43-44)**

| Item | Part number     | Description                | Qty.        | Remarks  |
|------|-----------------|----------------------------|-------------|--|
| 1    | 01078480        | Bearing AMER               | 2           |  |
| 2    | 00053750        | Washer                     | 10          |  |
| 3    | 00053100        | Hexagon screw              | 1           |  |
| 4    | 01078020        | Block                      | 4           | from appr. march 2008; if you want to exchange older blocks, please order Pos. 13! |
| 5    | 00053260        | Hex.bolt                   | 4           |  |
| 6    | 00053140        | Hex.bolt                   | 4           |  |
| 7    | 00053760        | Washer                     | 3           |  |
| 8    | 00053310        | Hexagon screw              | 3           |  |
| 9    | 01078490        | Lever                      | 1           |  |
| 10   | 01078010        | Hub                        | 2           |  |
| 11   | 01071180        | Wheel                      | 2           |  |
| 12   | <b>01171400</b> | <b>Traction drive B120</b> | <b>Page</b> | <b>12</b>  |
| 13   | 00008980        | Block                      | 1           | incl. Pos.4,5,18: please order kit because it's necessary to exchange all 4 blocks |
| 14   | 01171260        | Hexagon screw              | 8           | Tightening torque: 38 Nm   |
| 15   | 01031540        | protection cap             | 2           |  |
| 16   | 00051490        | Hexagon nut                | 2           |  |
| 17   | 00053770        | Washer                     | 2           |  |
| 18   | 00042900        | Washer                     | 4           |  |

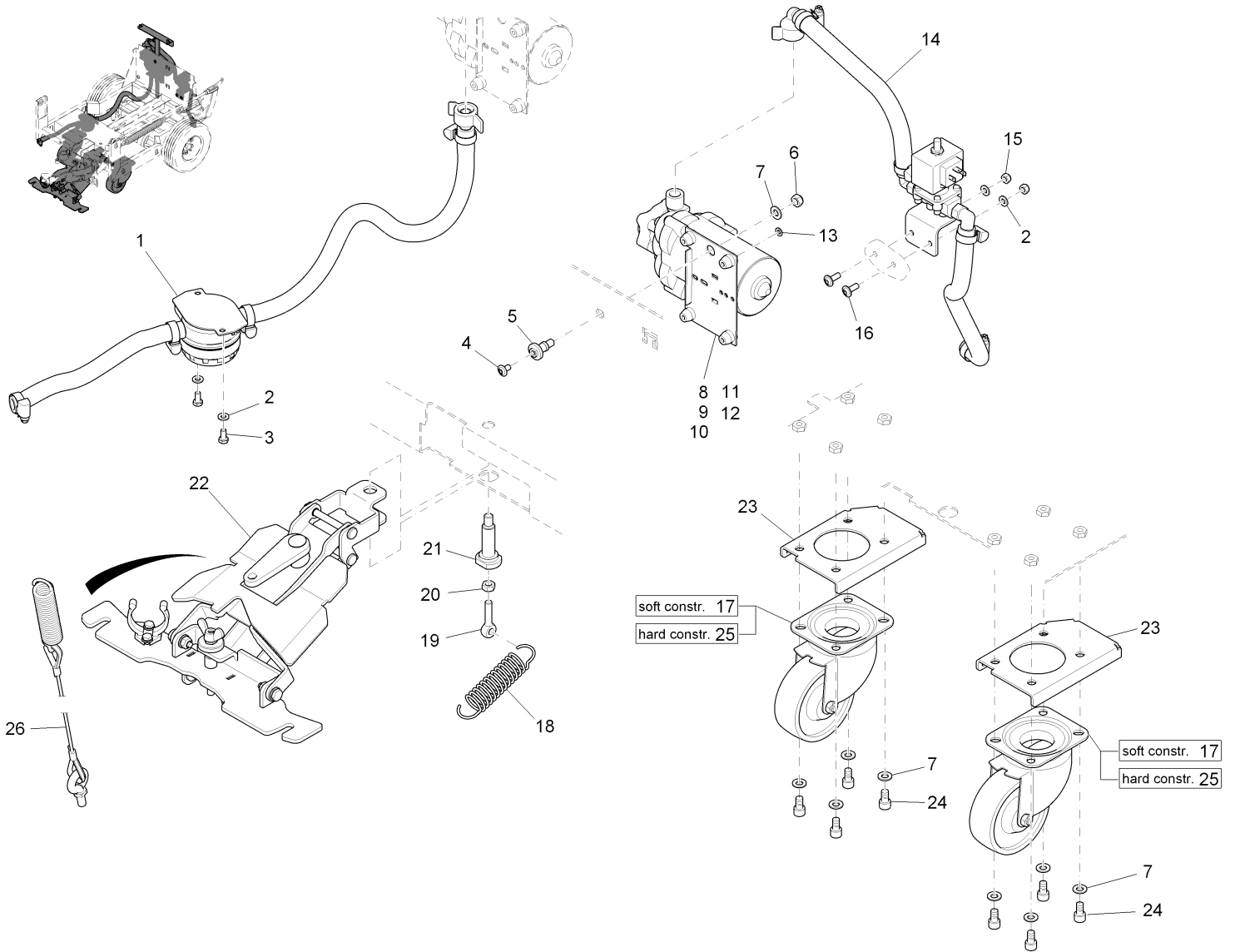
Traction drive B120 (01171400)



**Traction drive B120 (01171400)**

| Item | Part number | Description     | Qty. | Remarks |
|------|-------------|-----------------|------|---------|
| 1    | 01077430    | Washer          | 2    |         |
| 2    | 01171670    | Gasket          | 2    |         |
| 3    | 01077410    | Fitting key     | 2    |         |
| 4    | 01171750    | Gear with shaft | 1    |         |
| 5    | 01171740    | Motor           | 1    |         |
| 6    | 01171680    | End cap         | 1    |         |
| 7    | 01171690    | Carbon brush    | 4    |         |
| 8    | 01077400    | Bushing         | 2    |         |
| 9    | 01077380    | Nut             | 4    |         |
| 10   | 01171700    | Spring pin      | 1    |         |
| 11   | 01171710    | Parking brake   | 1    |         |
| 12   | 01171720    | Washer          | 3    |         |
| 13   | 01171730    | Screw           | 3    |         |
| 14   | 01173050    | Micro switch    | 1    |         |

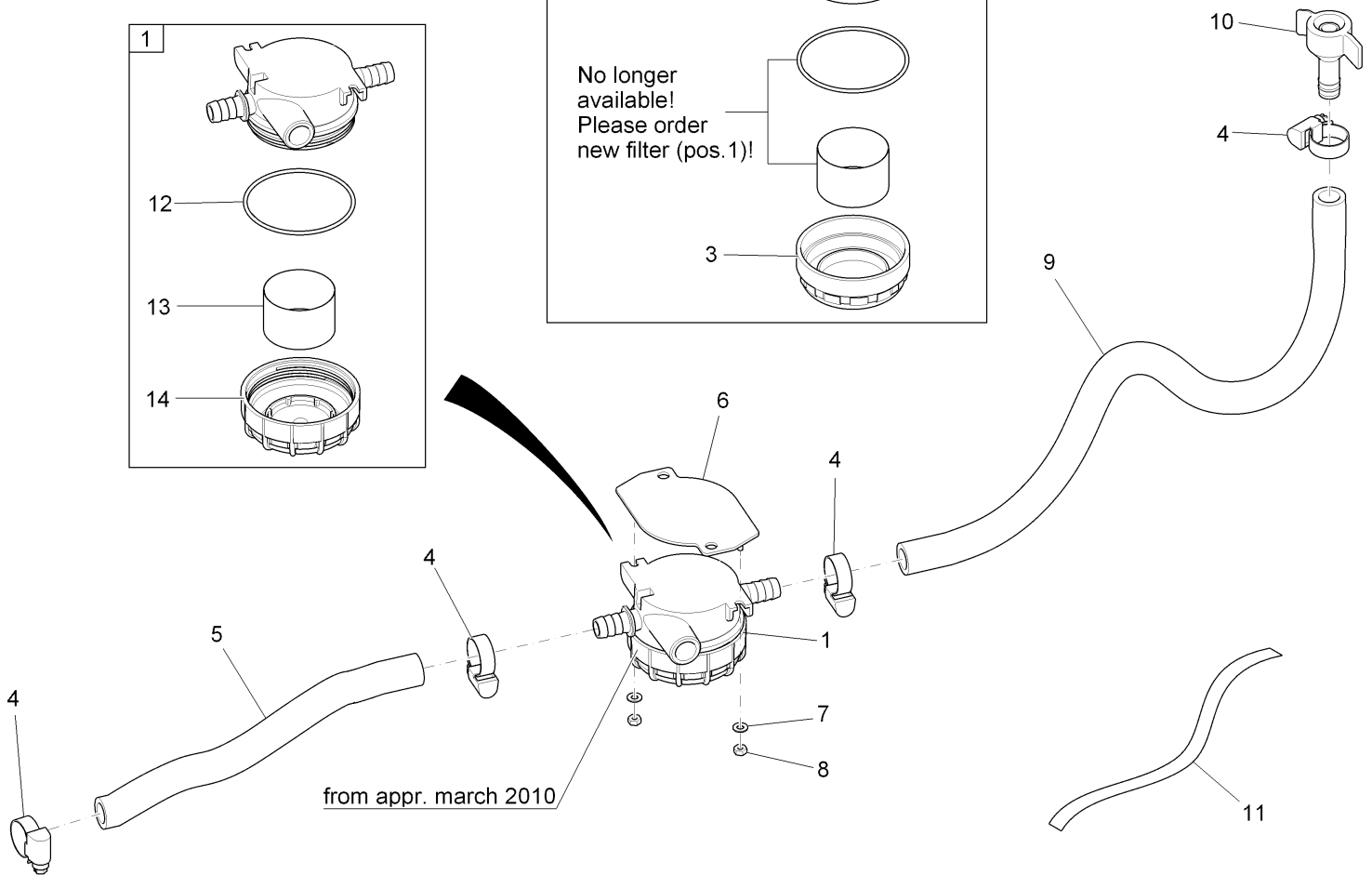
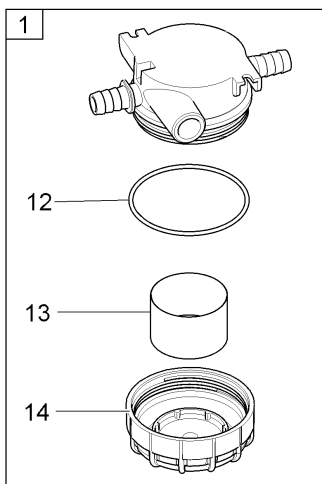
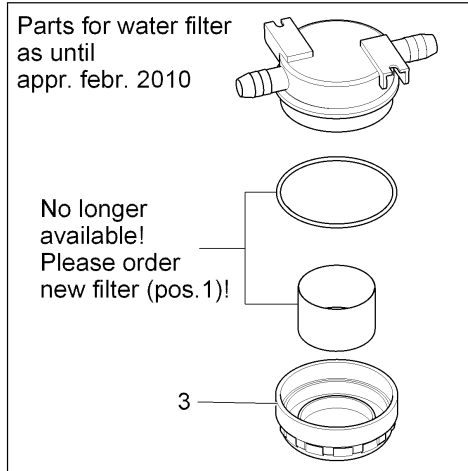
**Chassis, cpl. part 3 - Suction unit connection (97094783-3 7311-43-44)**



**Chassis, cpl. part 3 - Suction unit connection (97094783-3 7311-43-44)**

| Item | Part number             | Description   | Qty.        | Remarks           |
|------|-------------------------|---|-------------|-------------------|
| 1    | <b>97094981</b>         | <b>Water supply</b>                                   | <b>Page</b> | <b>16</b>         |
| 2    | 00053730                | Washer  | 4           |                   |
| 3    | 00104500                | Hexagon screw   | 2           |                   |
| 4    | 01072520                | Lens flange screw                                     | 1           |                   |
| 5    | 01077820                | Bushing   | 1           |                   |
| 6    | 00051510                | Hexagon nut   | 1           |                   |
| 7    | 00053750                | Washer  | 9           |                   |
| 8    | 00543750                | Pump  | 1           |                   |
| 9    | 00559670                | Case  | 1           |                   |
| 10   | 00083640                | Plastic cover   | 1           |                   |
| 11   | 00083650                | Plastic cover   | 1           |                   |
| 12   | 00903190                | Tab   | 1           |                   |
| 13   | 00053720                | Washer  | 1           |                   |
| 14   | <b>97094999-7062-20</b> | <b>Water supply</b>                                   | <b>Page</b> | <b>18</b>         |
| 15   | 00051520                | Hexagon nut   | 2           |                   |
| 16   | 01017640                | Lens flange screw                                     | 2           |                   |
| 17   | 01079660                | Steering roller                                       | 2           | Soft construction |
| 18   | 01078150                | Tension spring  | 1           |                   |
| 19   | 00735690                | Eye bolt  | 1           |                   |
| 20   | 00046500                | Hex. Nut  | 1           |                   |
| 21   | 01077830                | Pivot   | 1           |                   |
| 22   | <b>03008100</b>         | <b>Squeegee connection (Available! No.: 03008100)</b> | <b>Page</b> | <b>20</b>         |
| 23   | 01171560                | Sheet metal   | 2           |                   |
| 24   | 00103300                | Socket head screw                                     | 8           |                   |
| 25   | 01079440                | Steering roller                                       | 2           | Hard construction |
| 26   | 01170560                | Linkage   |             |                   |

**Water supply (97094981)**

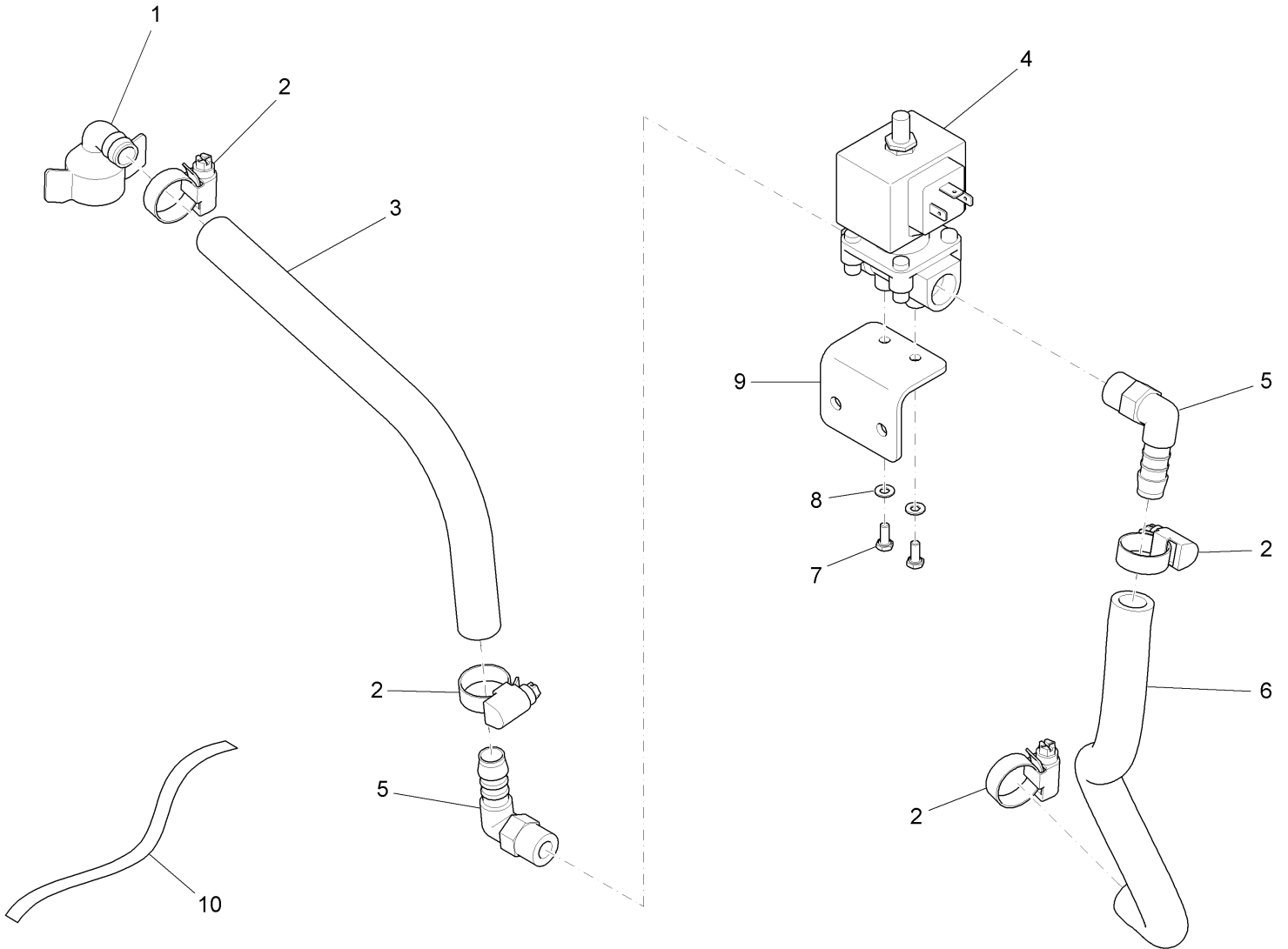




**Water supply (97094981)**

| Item | Part number | Description  | Qty.  | Remarks |
|------|-------------|--------------|-------|---------|
| 1    | 01077170    | Water filter | 1     |         |
| 3    | 01076500    | Screw cap    | 1     |         |
| 4    | 01015350    | Hose clamp   | 4     |         |
| 5    | 00200170    | PVC hose     | 300mm |         |
| 6    | 01078510    | Sheet metal  | 1     |         |
| 7    | 00053710    | Washer       | 2     |         |
| 8    | 00133830    | Hex. Nut     | 2     |         |
| 9    | 00200170    | PVC hose     | 480mm |         |
| 10   | 01071450    | Screwing     | 1     |         |
| 11   | 03007630    | Sealing band | 1     |         |
| 12   | 01178130    | O-ring       | 1     |         |
| 13   | 01178210    | Strainer     | 1     |         |
| 14   | 01177090    | Filter cover | 1     |         |

**Water supply (97094999-7062-20)**





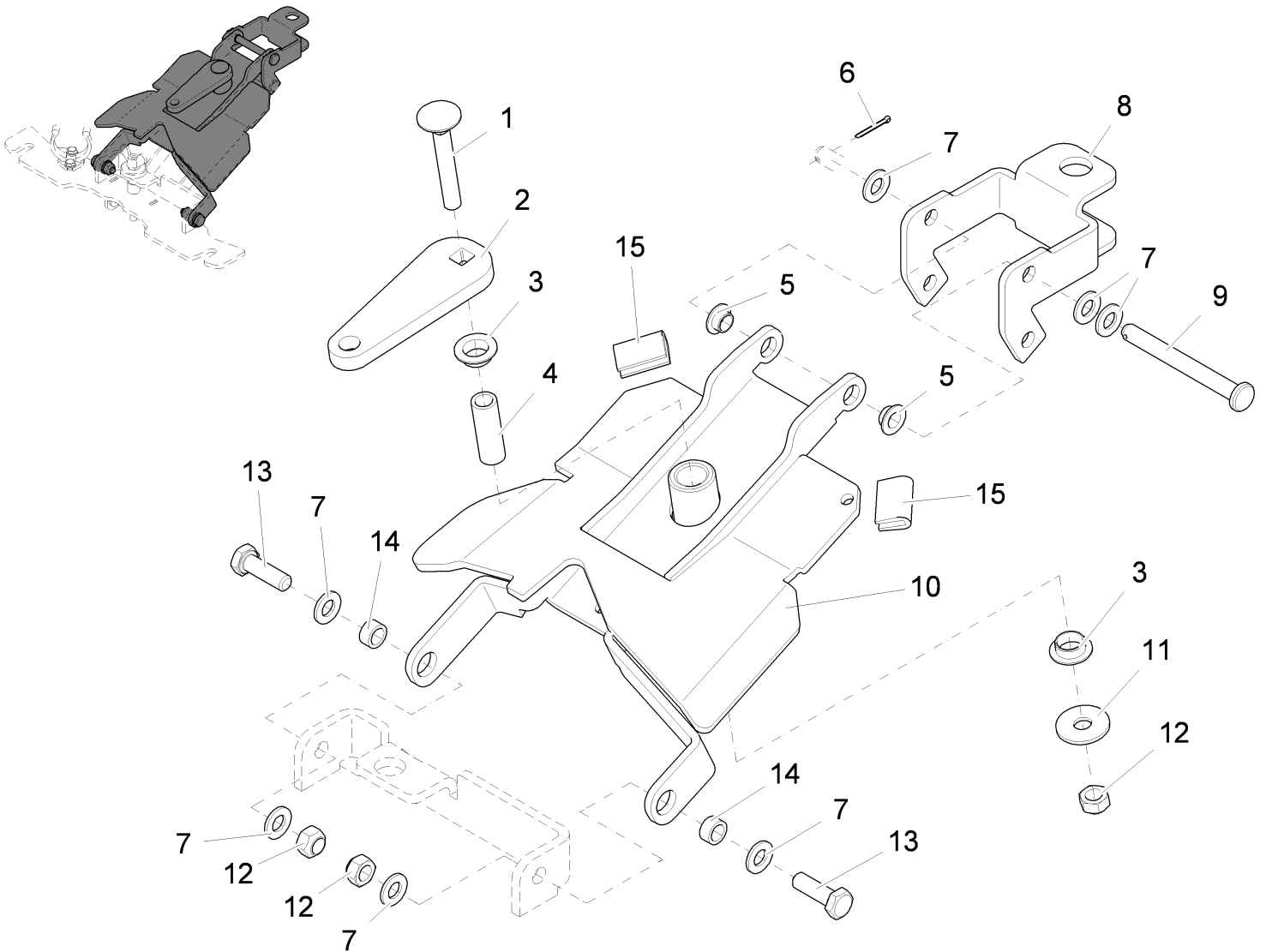
**Water supply (97094999-7062-20)**

| Item | Part number | Description           | Qty. | Remarks |
|------|-------------|-----------------------|------|---------|
| 1    | 00154140    | Screwed angle fitting | 1    |         |
| 2    | 01015350    | Hose clamp            | 4    |         |
| 3    | 00200170    | PVC hose              | 1    |         |
| 4    | 01071000    | Electrovalve          | 1    |         |
| 5    | 00020020    | Angle socket          | 2    |         |
| 6    | 00200170    | PVC hose              | 1    |         |
| 7    | 00058580    | Hex.bolt              | 2    |         |
| 8    | 00053710    | Washer                | 2    |         |
| 9    | 01170030    | Retainer              | 1    |         |
| 10   | 03007630    | Sealing band          | 1    |         |

**Squeegee connection (Available! No.: 03008100) (03008100)**

| <b>Assembly</b> | <b>Description</b>                                     | <b>Page</b> |
|-----------------|--|-------------|
| 97099915-1      | Squeegee connection (until appr. 15. Apr. 2008) part 1 | 21          |
| 97099915-2      | Squeegee connection (until appr. 15. Apr. 2008) part 2 | 23          |
| 03008100BT10    | Squeegee connection (from appr. 15. Apr. 2008) part 1  | 25          |
| 03008100BT20    | Squeegee connection (from appr. 15. Apr. 2008) part 2  | 27          |

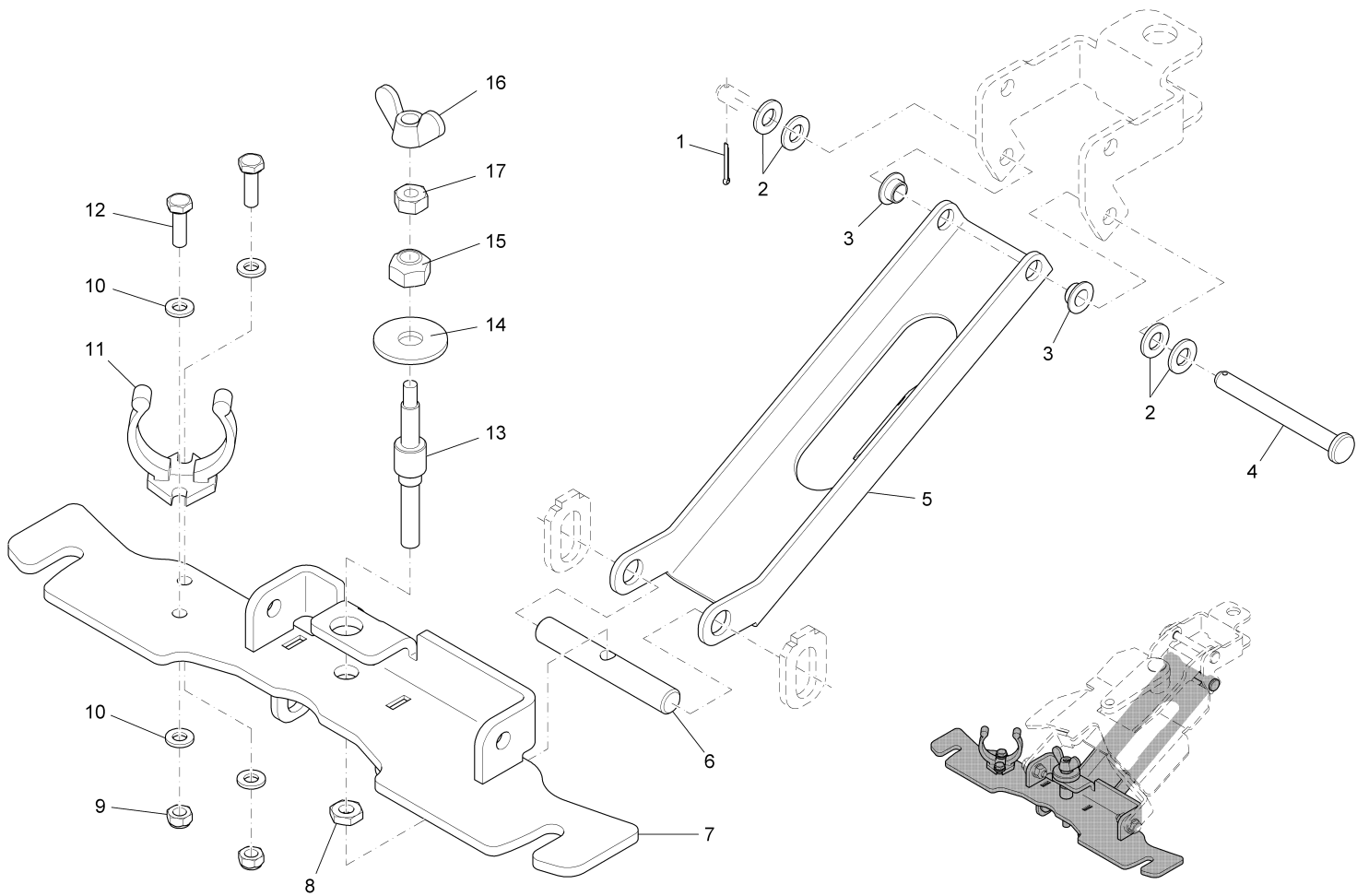
Squeegee connection (until appr. 15. Apr. 2008) part 1 (97099915-1)



**Squeegee connection (until appr. 15. Apr. 2008) part 1 (97099915-1)**

| Item | Part number | Description               | Qty. | Remarks |
|------|-------------|---------------------------|------|---------|
| 1    | 01130940    | Cup head square neck bolt | 1    |         |
| 2    | 01170040    | Sheet metal               | 1    |         |
| 3    | 01077510    | Slide bearing bush        | 2    |         |
| 4    | 01170160    | Pipe                      | 1    |         |
| 5    | 01078230    | Slide bearing bush        | 2    |         |
| 6    | 00054860    | Cotter pin                | 1    |         |
| 7    | 00053750    | Washer                    | 5    |         |
| 8    | 01079280    | Round part                | 1    |         |
| 9    | 01078220    | Bolt                      | 1    |         |
| 10   | 01079290    | Sheet metal               | 1    |         |
| 11   | 00042900    | Washer                    | 1    |         |
| 12   | 00051510    | Hexagon nut               | 3    |         |
| 13   | 00053100    | Hexagon screw             | 2    |         |
| 14   | 01077700    | Bushing                   | 2    |         |
| 15   | 00161240    | Edge protection           | 1    |         |

Squeegee connection (until appr. 15. Apr. 2008) part 2 (97099915-2)

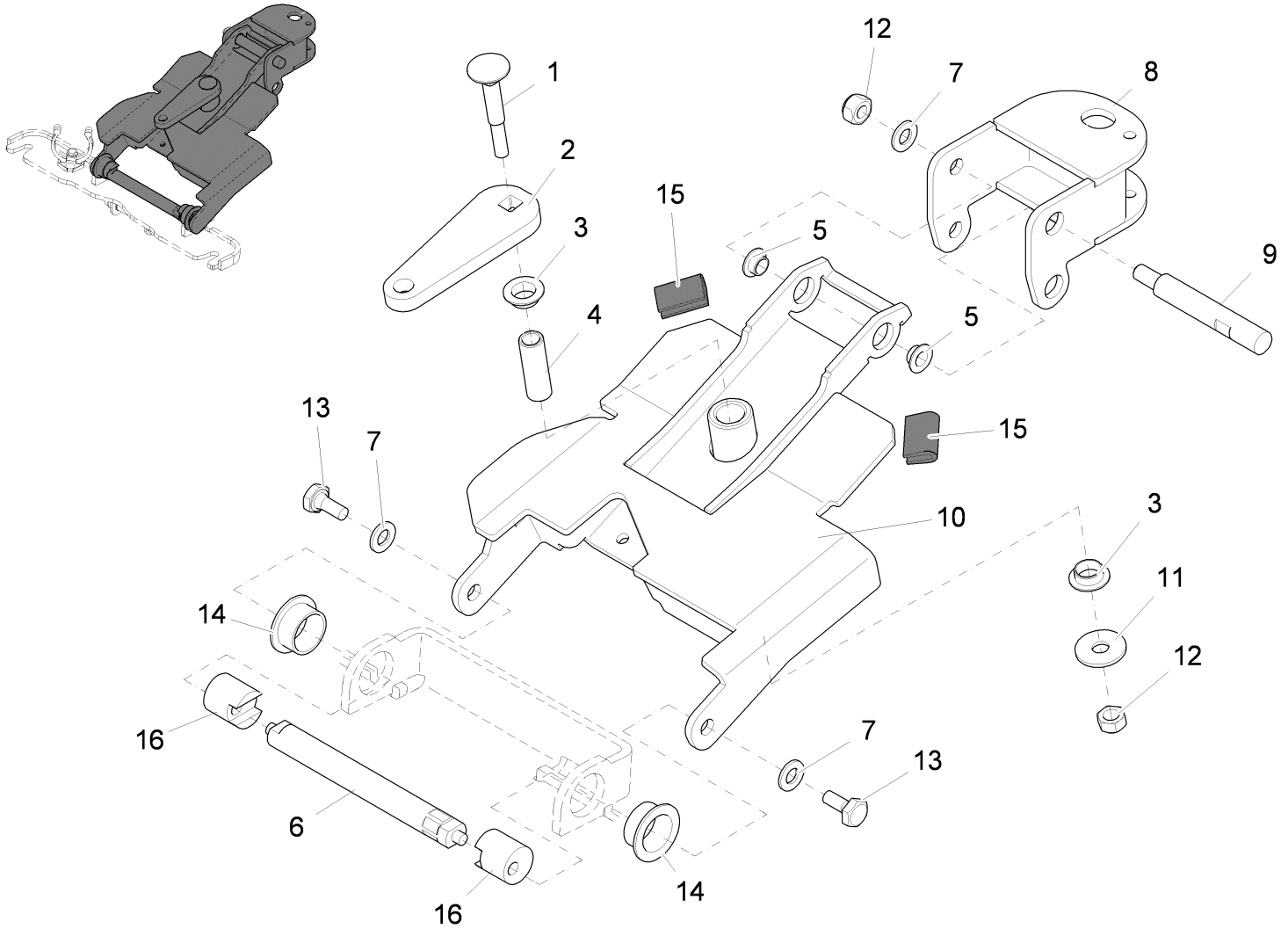


**Squeegee connection (until appr. 15. Apr. 2008) part 2 (97099915-2)**

| Item | Part number | Description        | Qty. | Remarks |
|------|-------------|--------------------|------|---------|
| 1    | 00054860    | Cotter pin         | 1    |         |
| 2    | 00053750    | Washer             | 1    |         |
| 3    | 01078230    | Slide bearing bush | 2    |         |
| 4    | 01170050    | Bolt               | 1    |         |
| 5    | 01079320    | Draft link         | 1    |         |
| 6    | 01077680    | Bolt               | 1    |         |
| 7    | 01079330    | Sheet metal        | 1    |         |
| 8    | 00046500    | Hex. Nut           | 2    |         |
| 9    | 00051520    | Hexagon nut        | 2    |         |
| 10   | 00053730    | Washer             | 4    |         |
| 11   | 01078120    | Hose support       | 1    |         |
| 12   | 00053020    | Hexagon screw      | 2    |         |
| 13   | 01077850    | Threaded pin       | 1    |         |
| 14   | 00042900    | Washer             | 1    |         |
| 15   | 00051510    | Hexagon nut        | 1    |         |
| 16   | 00054020    | Wing nut           | 1    |         |
| 17   | 00053330    | Hexagon nut        | 1    |         |



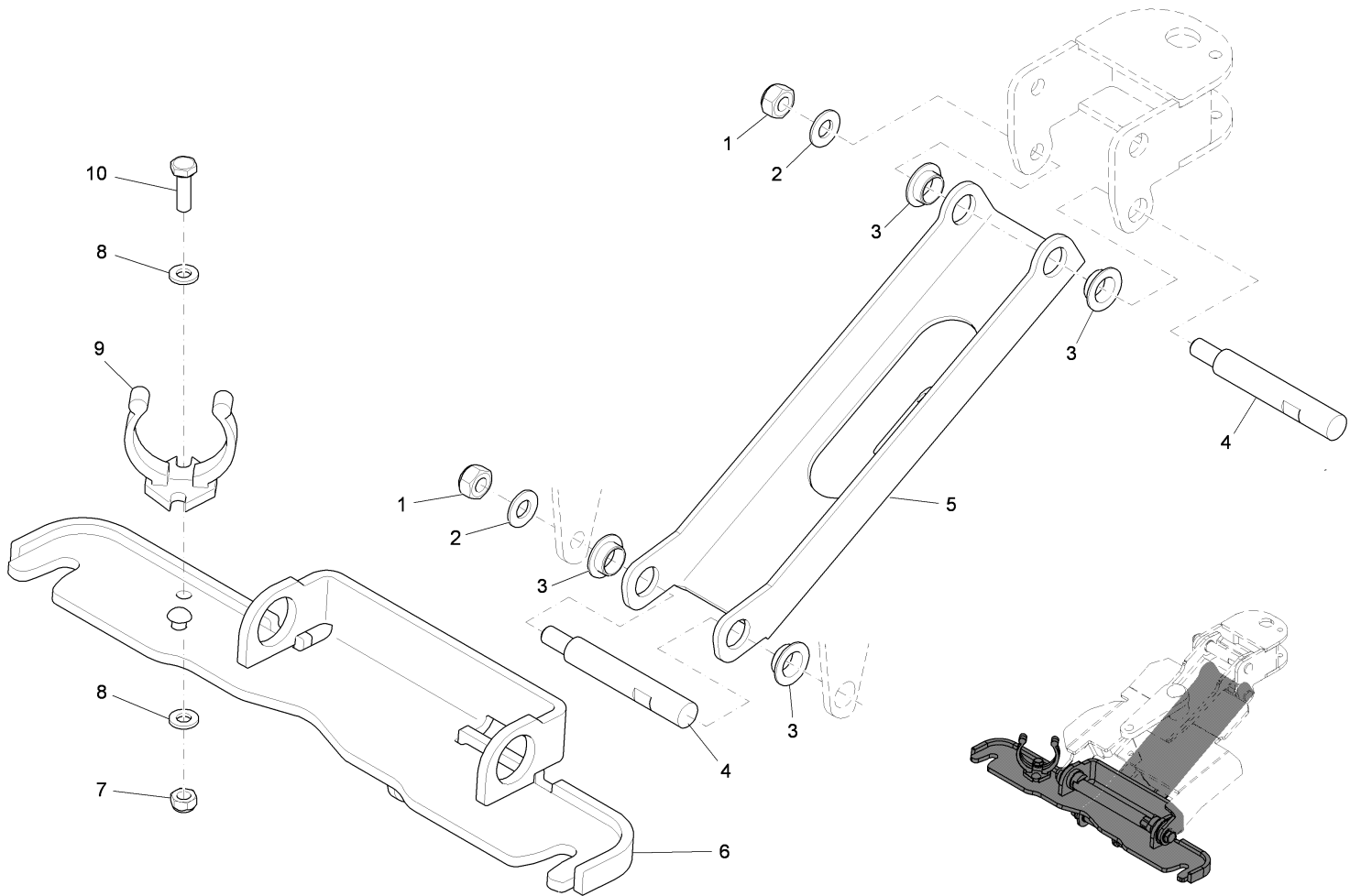
Squeegee connection (from appr. 15. Apr. 2008) part 1 (03008100BT10)



**Squeegee connection (from appr. 15. Apr. 2008) part 1 (03008100BT10)**

| Item | Part number | Description               | Qty. | Remarks |
|------|-------------|---------------------------|------|---------|
| 1    | 01130940    | Cup head square neck bolt | 1    |         |
| 2    | 01170040    | Sheet metal               | 1    |         |
| 3    | 01077510    | Slide bearing bush        | 2    |         |
| 4    | 01171550    | Bushing                   | 1    |         |
| 5    | 01171330    | Slide bearing bush        | 2    |         |
| 6    | 01171360    | Shaft                     | 1    |         |
| 7    | 00101550    | Washer                    | 3    |         |
| 8    | 01171290    | Round part                | 1    |         |
| 9    | 01171540    | Threaded bolt             | 1    |         |
| 10   | 01171300    | Sheet metal               | 1    |         |
| 11   | 00042900    | Washer                    | 1    |         |
| 12   | 00101540    | Hexagon nut               | 2    |         |
| 13   | 01071740    | Hex.bolt                  | 2    |         |
| 14   | 01130470    | Slide bearing bush        | 2    |         |
| 15   | 00161240    | Edge protection           | 60mm |         |
| 16   | 01171370    | Excentric                 | 2    |         |

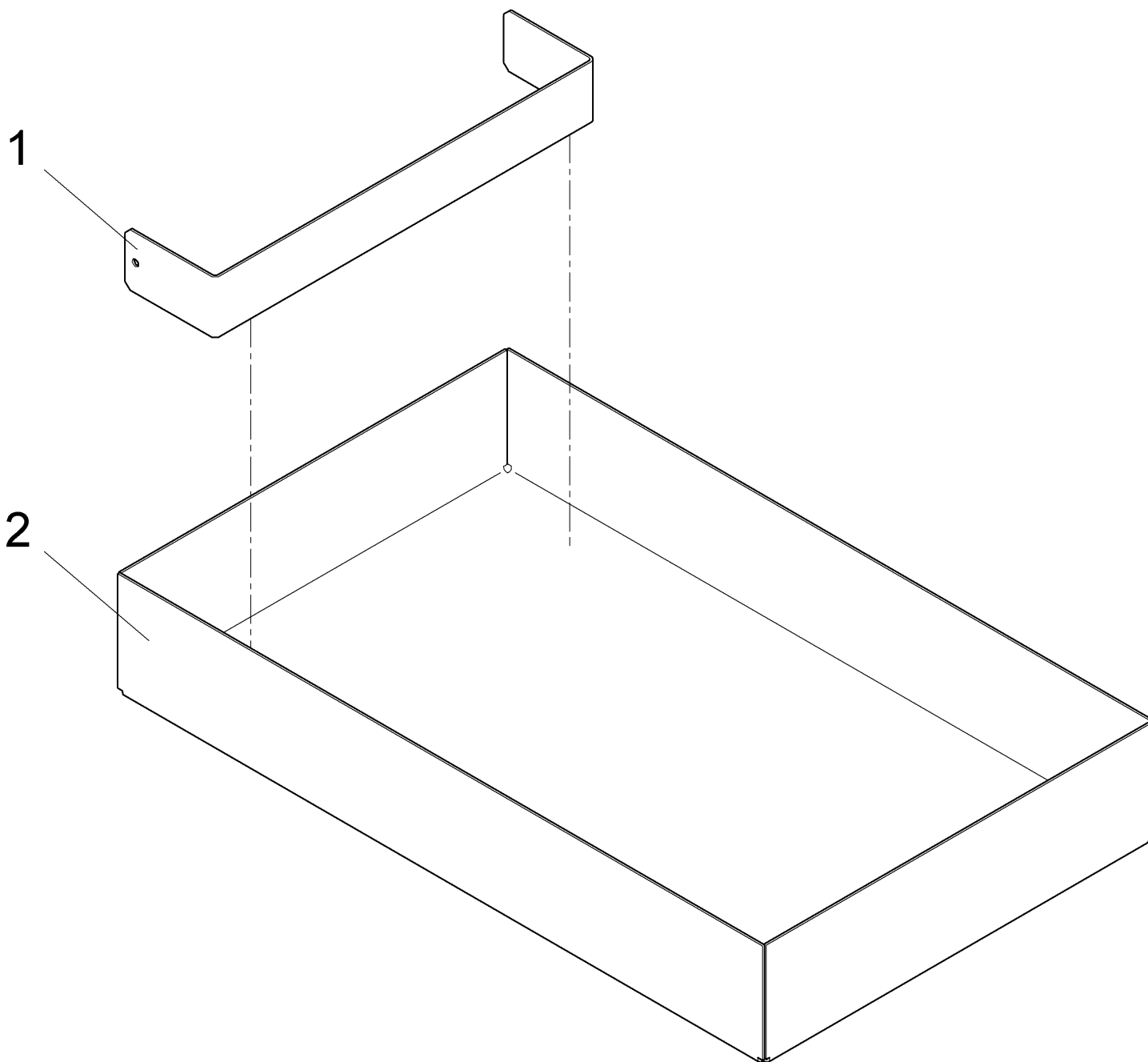
Squeegee connection (from appr. 15. Apr. 2008) part 2 (03008100BT20)



**Squeegee connection (from appr. 15. Apr. 2008) part 2 (03008100BT20)**

| <b>Item</b> | <b>Part number</b> | <b>Description</b> | <b>Qty.</b> | <b>Remarks</b> |
|-------------|--------------------|--------------------|-------------|----------------|
| 1           | 00101540           | Hexagon nut        | 2           |                |
| 2           | 00101550           | Washer             | 2           |                |
| 3           | 01171330           | Slide bearing bush | 2           |                |
| 4           | 01171540           | Threaded bolt      | 3           |                |
| 5           | 01171280           | Draft link         | 1           |                |
| 6           | 01171310           | Sheet metal        | 1           |                |
| 7           | 00051520           | Hexagon nut        | 1           |                |
| 8           | 00053730           | Washer             | 2           |                |
| 9           | 01078120           | Hose support       | 1           |                |
| 10          | 00053020           | Hexagon screw      | 1           |                |

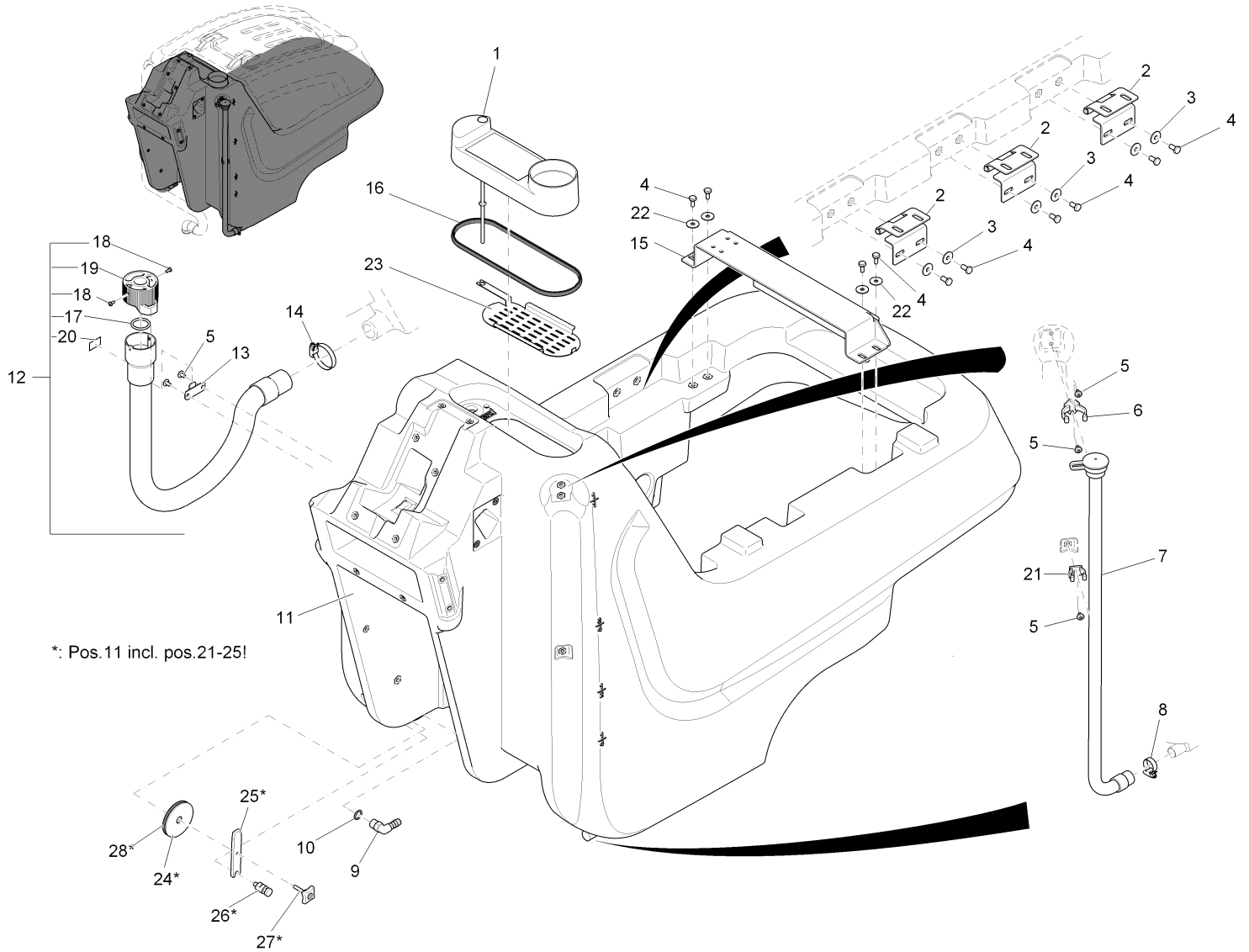
Battery tray (97099956)



**Battery tray (97099956)**

| Item | Part number | Description  | Qty. | Remarks |
|------|-------------|--------------|------|---------|
| 1    | 01170760    | Sheet metal  | 1    |         |
| 2    | 03008190    | Battery tray | 1    |         |

Hopper cpl. part1 - Traverse (97112148-1)

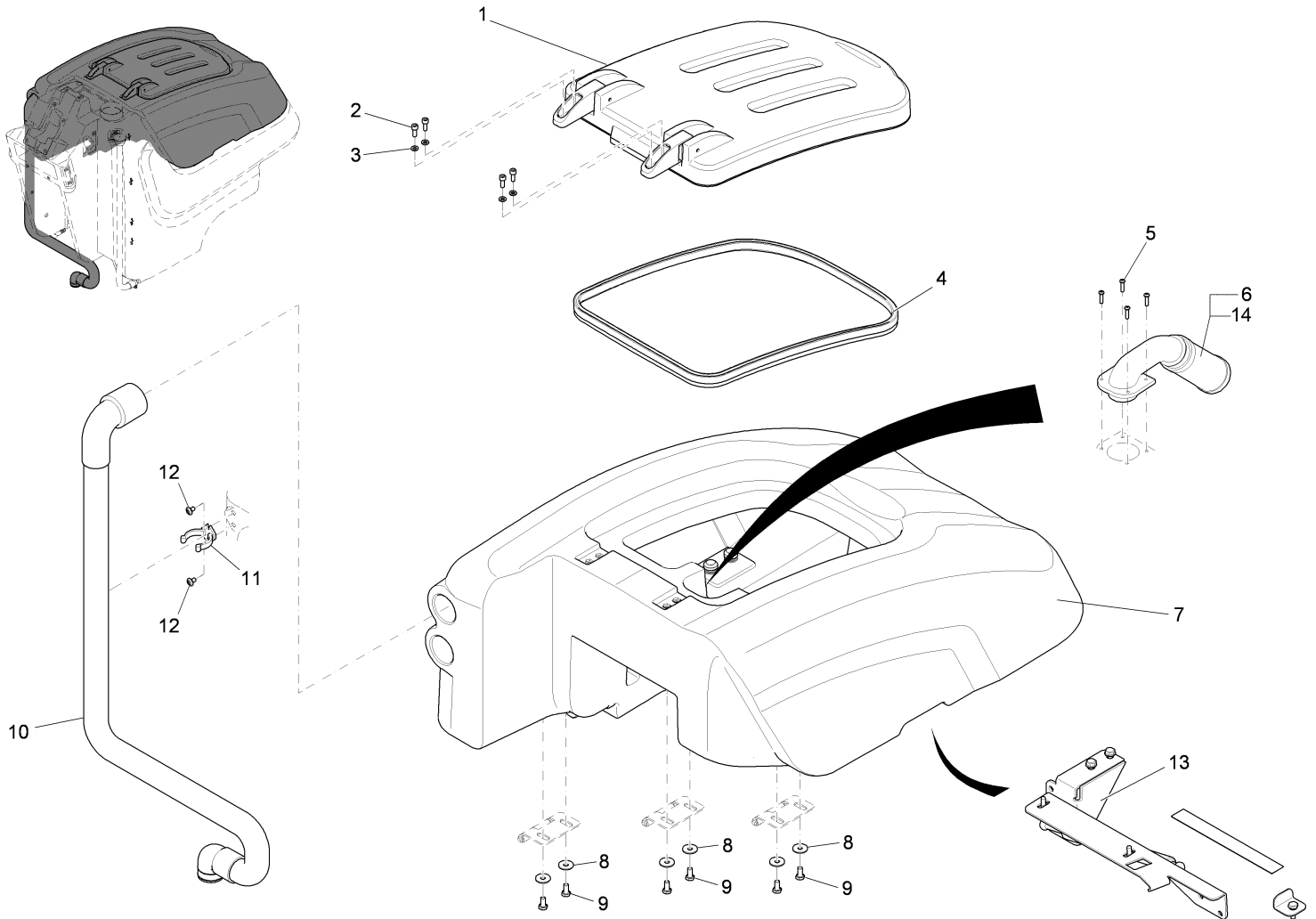


**Hopper cpl. part1 - Traverse (97112148-1)**

| Item | Part number | Description          | Qty.  | Remarks  |
|------|-------------|----------------------|-------|--|
| 1    | 01078100    | Fresh water cap      | 1     |  |
| 2    | 01078110    | Hinge                | 3     |  |
| 3    | 00047990    | Disk wheel           | 6     |  |
| 4    | 00053080    | Hexagon screw        | 10    |  |
| 5    | 01072520    | Lens flange screw    | 5     |  |
| 6    | 01078120    | Hose support         | 1     |  |
| 7    | 01170530    | Hose                 | 1     |  |
| 8    | 01161690    | Clamp                | 1     |  |
| 9    | 00020020    | Angle socket         | 1     |  |
| 10   | 00057720    | O-ring oil resistant | 1     |  |
| 11   | 01171570    | Fresh water tank     | 1     | Attention: with ordering of hopper at the first time please order pos. 24-28, tool |
| 12   | 01077960    | Foul water hose      | 1     |  |
| 13   | 01077860    | Hook                 | 1     |  |
| 14   | 00751160    | Hose clamp           | 1     |  |
| 15   | 01171580    | Cross beam           | 1     |  |
| 16   | 00721090    | Edge protection      | 710mm |  |
| 17   | 01079300    | O-Ring               | 1     |  |
| 18   | 00906100    | Fillister-head screw | 2     |  |
| 19   | 00906110    | Cover                | 1     |  |
| 20   | 01170060    | Decal FOUL WATER     | 1     |  |
| 21   | 01171590    | Hose support         | 1     |  |
| 22   | 00042900    | Washer               | 4     |  |
| 23   | 01177520    | Strainer             | 1     |  |
| 24   | 01178730    | Cover                | 1     |  |
| 25   | 01178760    | Bracket              | 1     |  |
| 26   | 01178750    | Screw                | 1     |  |
| 27   | 01178770    | Star handle screw    | 1     |  |
| 28   | 01178740    | Gasket               | 1     |  |



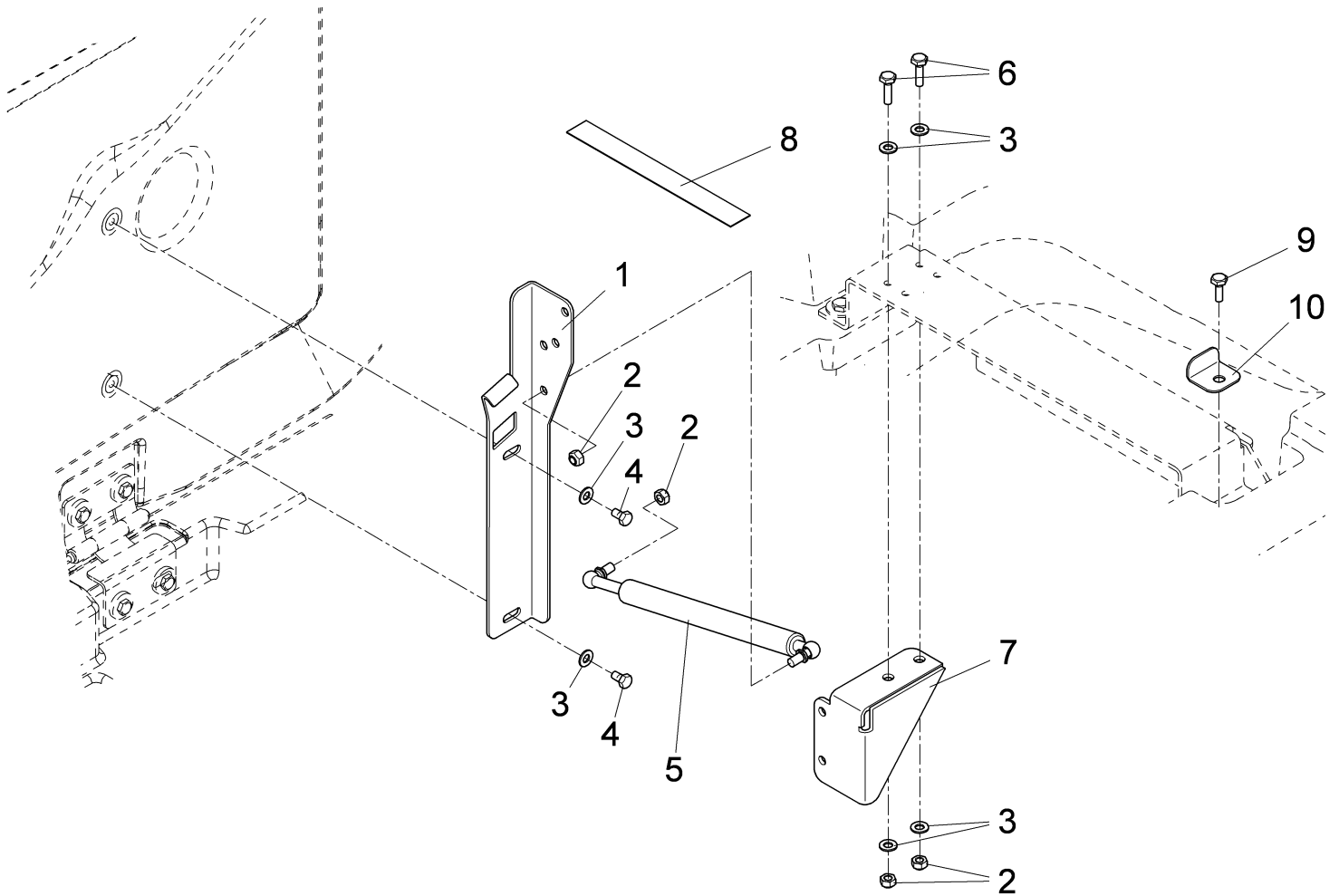
Hopper cpl. part2 - Lifting device (97112148-2)



Hopper cpl. part2 - Lifting device (97112148-2)

| Item | Part number     | Description           | Qty.        | Remarks   |
|------|-----------------|-----------------------|-------------|-----------|
| 1    | 01077990        | Cover                 | 1           |           |
| 2    | 00136910        | Cylinder head screw   | 4           |           |
| 3    | 00053730        | Washer                | 4           |           |
| 4    | 01071770        | Sealing profile       | 1580 mm     |           |
| 5    | 01078160        | Screw                 | 4           |           |
| 6    | 01078250        | Filter unit           | 1           |           |
| 7    | 01171600        | Dirt container        | 1           |           |
| 8    | 00047990        | Disk wheel            | 6           |           |
| 9    | 00053080        | Hexagon screw         | 6           |           |
| 10   | 01171610        | Suction hose          | 1           |           |
| 11   | 01078120        | Hose support          | 1           |           |
| 12   | 01072520        | Lens flange screw     | 2           |           |
| 13   | <b>97101653</b> | <b>Lifting device</b> | <b>Page</b> | <b>35</b> |
| 14   | 01274860        | O-ring                | 1           |           |

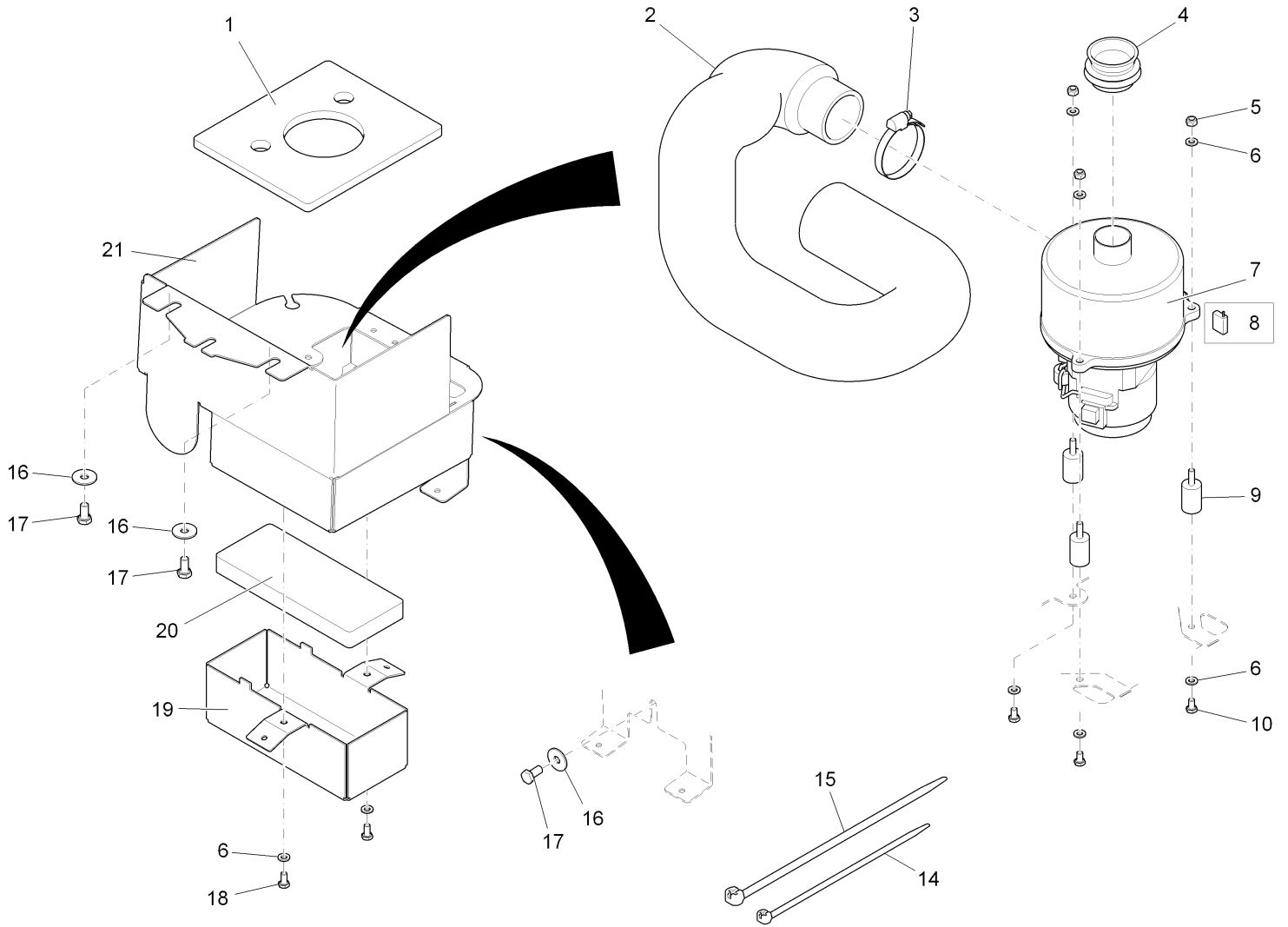
Lifting device (97101653)



**Lifting device (97101653)**

| Item | Part number | Description      | Qty. | Remarks |
|------|-------------|------------------|------|---------|
| 1    | 01171620    | Angle            | 1    |         |
| 2    | 00051510    | Hexagon nut      | 4    |         |
| 3    | 00053750    | Washer           | 6    |         |
| 4    | 00053080    | Hexagon screw    | 2    |         |
| 5    | 01171630    | Pneumatic spring | 1    |         |
| 6    | 00053100    | Hexagon screw    | 2    |         |
| 7    | 01171640    | Retainer         | 1    |         |
| 8    | 01055740    | Belt             | 1    |         |
| 9    | 00053090    | Hexagon screw    | 1    |         |
| 10   | 01171650    | Angle            | 1    |         |

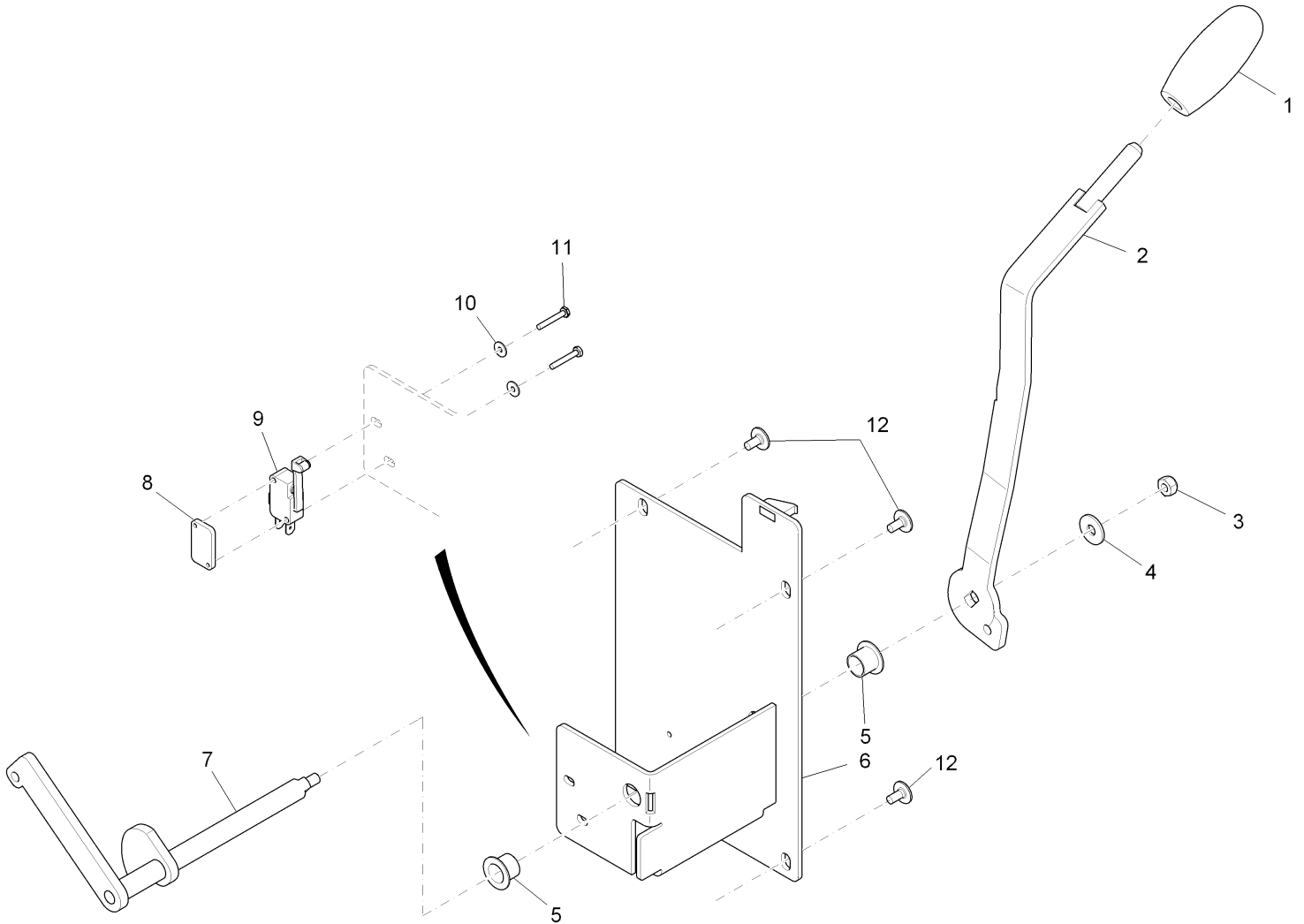
**Suction (97092811)**



**Suction (97092811)**

| Item | Part number | Description    | Qty. | Remarks |
|------|-------------|----------------|------|---------|
| 1    | 01079740    | Insulation mat | 1    |         |
| 2    | 01077900    | Hose           | 1    |         |
| 3    | 00732130    | Hose clamp     | 1    |         |
| 4    | 01078180    | Connection     | 1    |         |
| 5    | 00051520    | Hexagon nut    | 3    |         |
| 6    | 00053730    | Washer         | 8    |         |
| 7    | 01079350    | Suction motor  | 1    |         |
| 8    | 00048840    | Carbon brush   | 4    |         |
| 9    | 01078190    | Buffer         | 3    |         |
| 10   | 00554850    | Hex.bolt       | 3    |         |
| 14   | 00121150    | Cable tie      | 1    |         |
| 15   | 00967760    | Cable tie      | 4    |         |
| 16   | 00042900    | Washer         | 3    |         |
| 17   | 00053080    | Hexagon screw  | 3    |         |
| 18   | 00104500    | Hexagon screw  | 2    |         |
| 19   | 01079750    | Cover          | 1    |         |
| 20   | 01079730    | Insulation mat | 1    |         |
| 21   | 03007810    | Sheet metal    | 1    |         |

**Squeegee operation (Available! No.: 00009000) (00009000)**

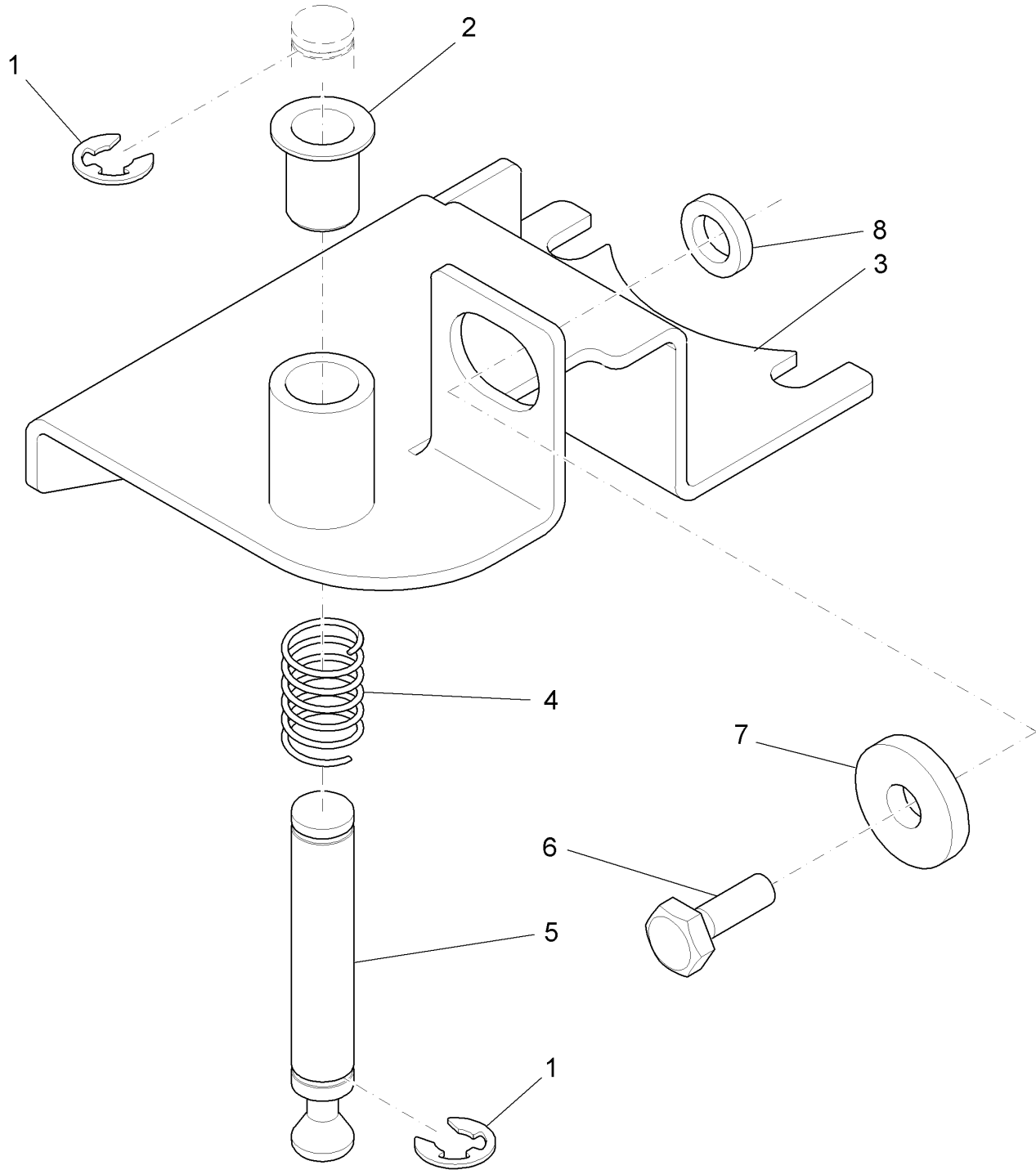


**Squeegee operation (Available! No.: 00009000) (00009000)**

| Item | Part number | Description        | Qty. | Remarks |
|------|-------------|--------------------|------|---------|
| 1    | 00705560    | Handle             | 1    |         |
| 2    | 01079160    | Lever              | 1    |         |
| 3    | 00051520    | Hexagon nut        | 1    |         |
| 4    | 00135120    | Washer             | 1    |         |
| 5    | 01071440    | Plain bearing bush | 2    |         |
| 6    | 01079710    | Support plate      | 1    |         |
| 7    | 01079720    | Shaft with cam     | 1    |         |
| 8    | 01074840    | Thread base plate  | 1    |         |
| 9    | 00975510    | Micro switch       | 1    |         |
| 10   | 00747400    | Washer             | 2    |         |
| 11   | 00022180    | Hex.bolt           | 2    |         |
| 12   | 01072520    | Lens flange screw  | 4    |         |



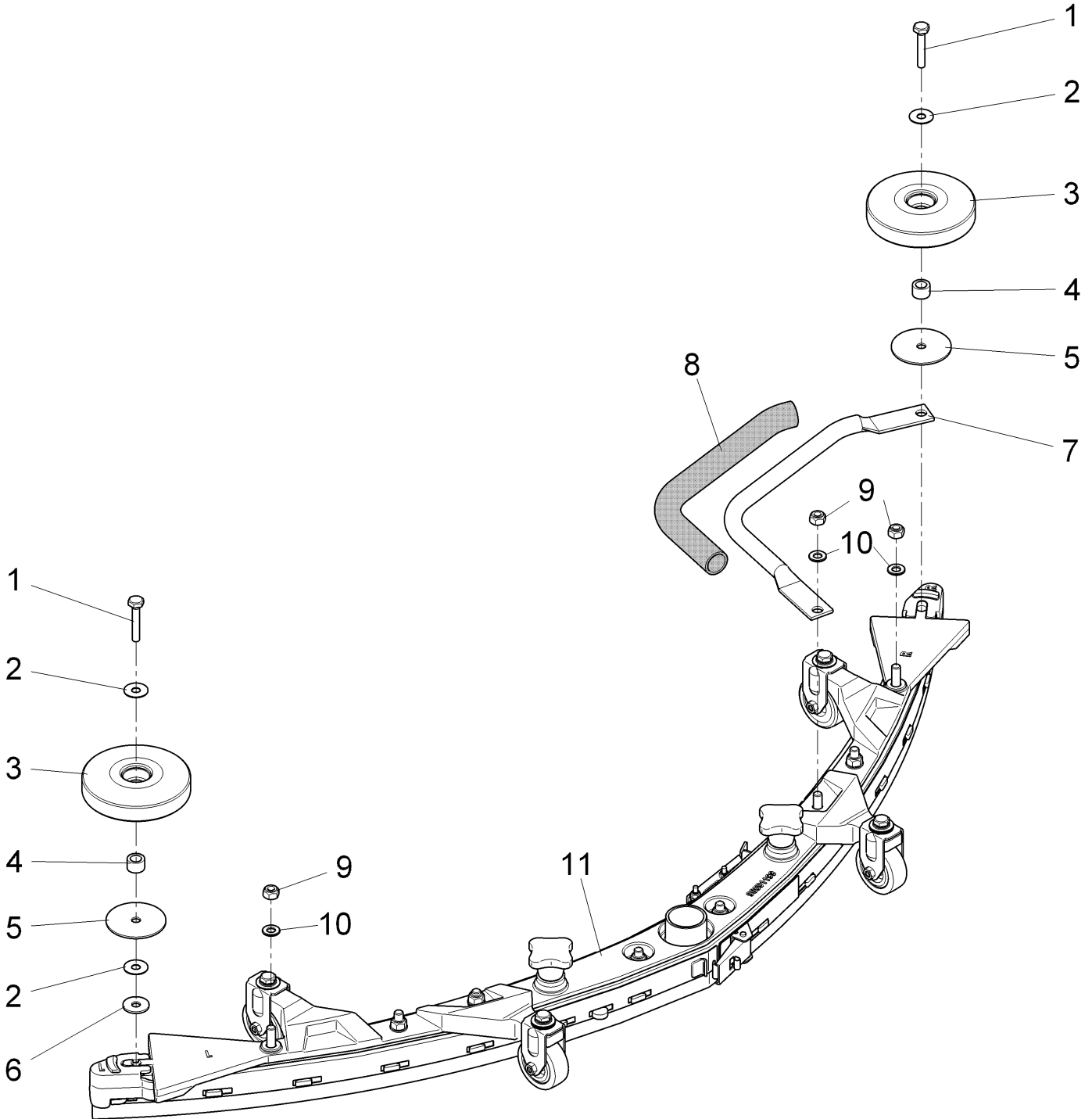
Squeegee lock (97099931)



**Squeegee lock (97099931)**

| Item | Part number | Description            | Qty. | Remarks |
|------|-------------|------------------------|------|---------|
| 1    | 00046280    | Thrust washer          | 2    |         |
| 2    | 00041400    | Plain bearing bush     | 1    |         |
| 3    | 01170630    | Folding plate          | 1    |         |
| 4    | 01170280    | Cyl.compression spring | 1    |         |
| 5    | 01170270    | Pin                    | 1    |         |
| 6    | 00053090    | Hexagon screw          | 1    |         |
| 7    | 00047990    | Disk wheel             | 1    |         |
| 8    | 01079670    | Spacer sleeve          | 1    |         |

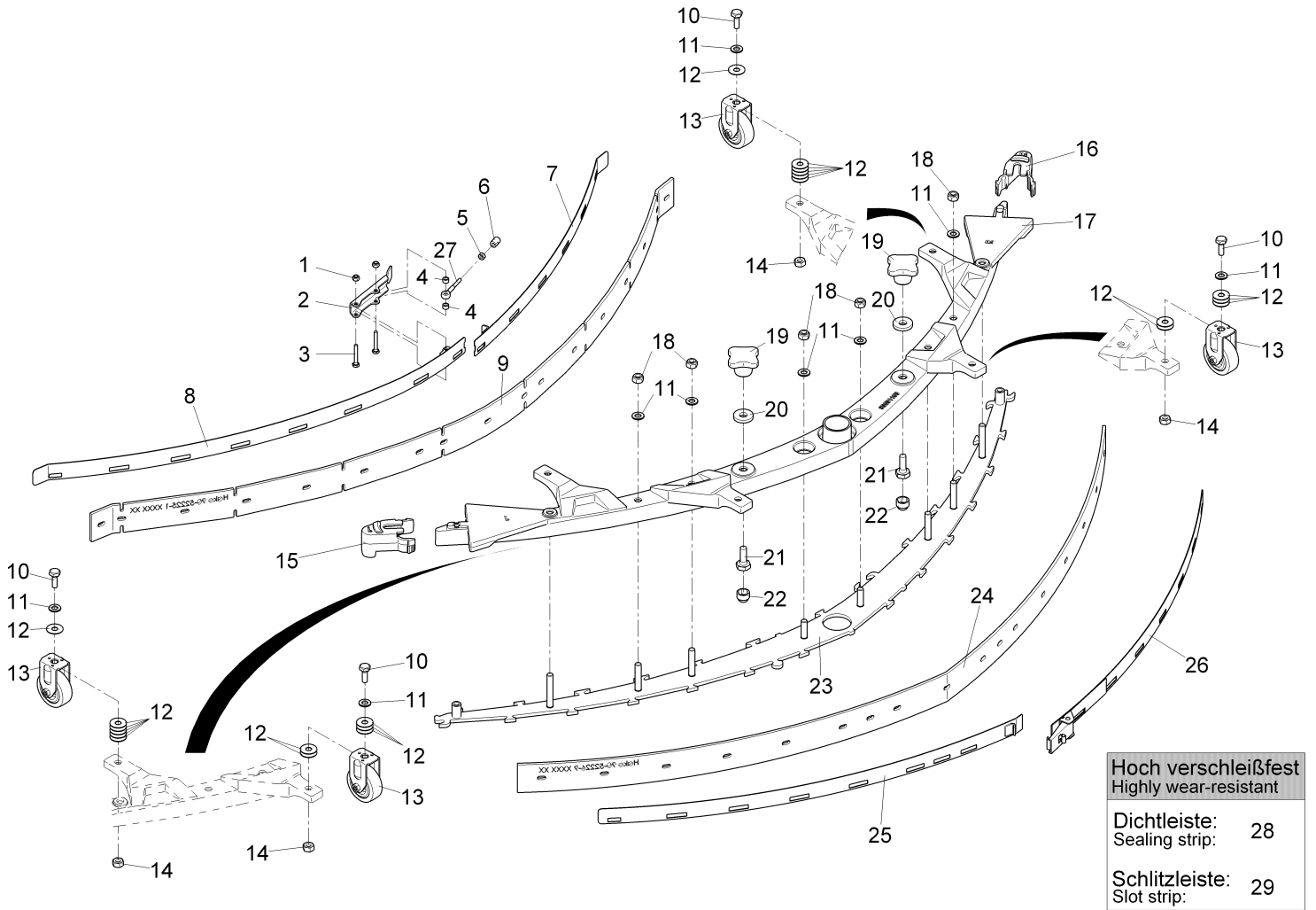
Squeegee 1100 mm cpl. (from appr. 4/2012) (97115596)



**Squeegee 1100 mm cpl. (from appr. 4/2012) (97115596)**

| Item | Part number     | Description             | Qty.        | Remarks          |
|------|-----------------|-------------------------|-------------|------------------|
| 1    | 00059460        | Hex.bolt                | 2           |                  |
| 2    | 01079080        | Spacer                  | 3           |                  |
| 3    | 01171790        | Deflector roller        | 2           |                  |
| 4    | 00879030        | Pipe                    | 2           |                  |
| 5    | 01178290        | Conical spring washer   | 2           |                  |
| 6    | 00902280        | Washer                  | 1           |                  |
| 7    | XXXXXXXX        | no part-No. til yet     | 1           | 90592023 Bracket |
| 8    | 00911270        | Hose                    | 290 mm      |                  |
| 9    | 00101540        | Hexagon nut             | 3           |                  |
| 10   | 00101550        | Washer                  | 3           |                  |
| 11   | <b>97099287</b> | <b>Squeegee 1100 mm</b> | <b>Page</b> | <b>45</b>        |

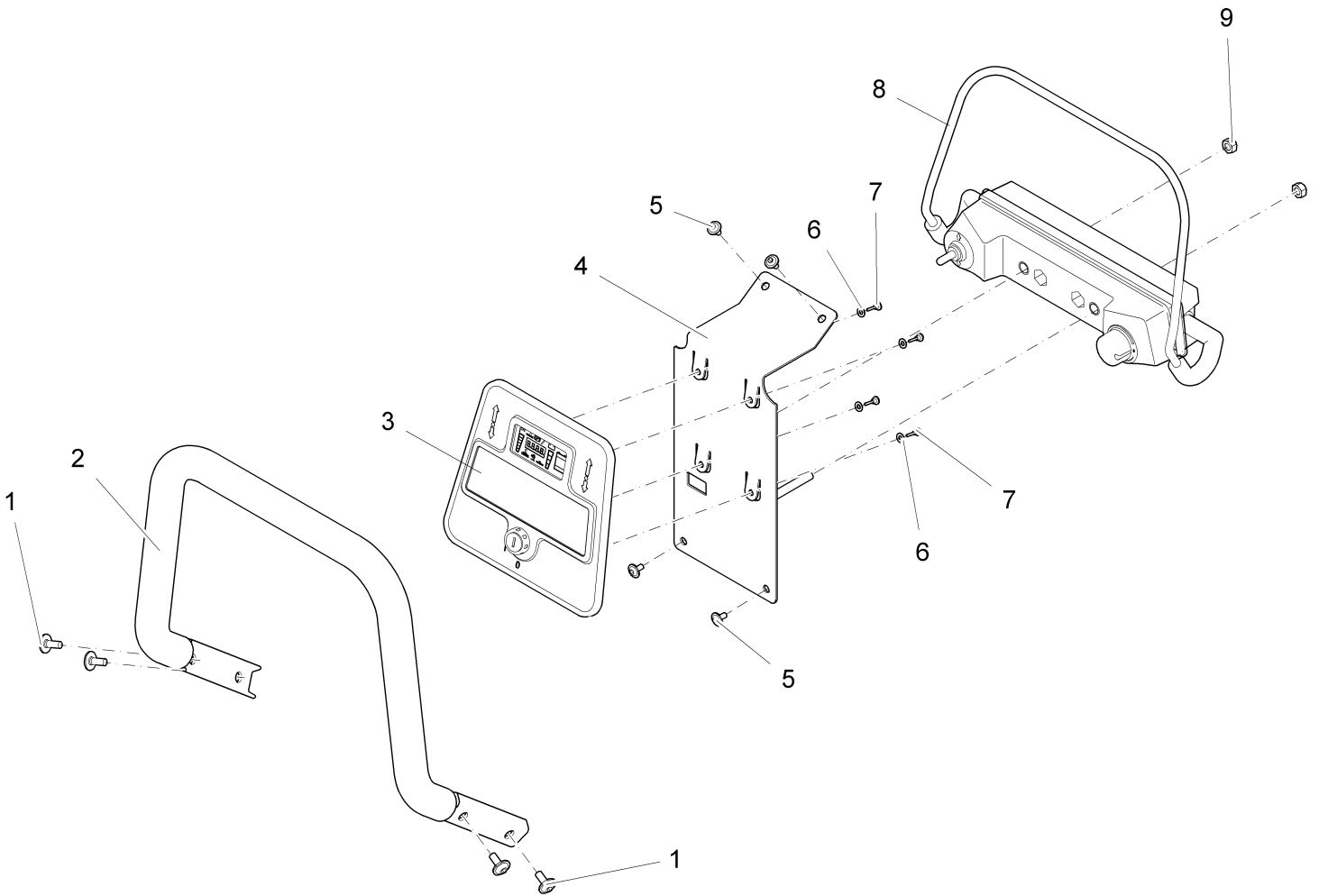
**Squeegee 1100 mm (97099287)**



**Squeegee 1100 mm (97099287)**

| Item | Part number | Description         | Qty. | Remarks                |
|------|-------------|---------------------|------|------------------------|
| 1    | 01017660    | Hex. Nut            | 2    |                        |
| 2    | 01077580    | Lever               | 1    |                        |
| 3    | 01079890    | Hexagon screw       | 2    |                        |
| 4    | 01077590    | Bushing             | 2    |                        |
| 5    | 00902250    | Hex. Nut            | 1    |                        |
| 6    | 01078090    | Pressure piece      | 1    |                        |
| 7    | 01079870    | Front tension band  | 1    |                        |
| 8    | 01079880    | Front tension band  | 1    |                        |
| 9    | 01079790    | Slot strip          | 1    |                        |
| 10   | 01162510    | Hexagon screw       | 4    |                        |
| 11   | 00101550    | Washer              | 10   |                        |
| 12   | 01079080    | Spacer              | 22   |                        |
| 13   | 01077810    | Fixed castor        | 4    |                        |
| 14   | 00971400    | Hexagon nut         | 4    |                        |
| 15   | 01178320    | Protection cap L.H. | 1    |                        |
| 16   | 01178310    | Protection cap R.H. | 1    |                        |
| 17   | XXXXXXXX    | no part-No. til yet | 1    | 90591199 Squeegee body |
| 18   | 00101540    | Hexagon nut         | 5    |                        |
| 19   | 01179360    | Star handle yellow  | 2    |                        |
| 20   | 00972060    | Disk wheel          | 2    |                        |
| 21   | 01019850    | Hexagon screw       | 2    |                        |
| 22   | 00131610    | Lens cap            | 2    |                        |
| 23   | XXXXXXXX    | no part-No. til yet |      | 96131339 Base plate    |
| 24   | 01079780    | Sealing strip       | 1    |                        |
| 25   | 01079920    | Rear tension band   | 1    |                        |
| 26   | 01079910    | Rear tension band   | 1    |                        |
| 27   | 01077500    | Eye bolt            | 1    |                        |
| 28   | 01179200    | Sealing strip       | 1    |                        |
| 29   | 01179190    | Slot strip          | 1    |                        |

Operation handle (97096523)

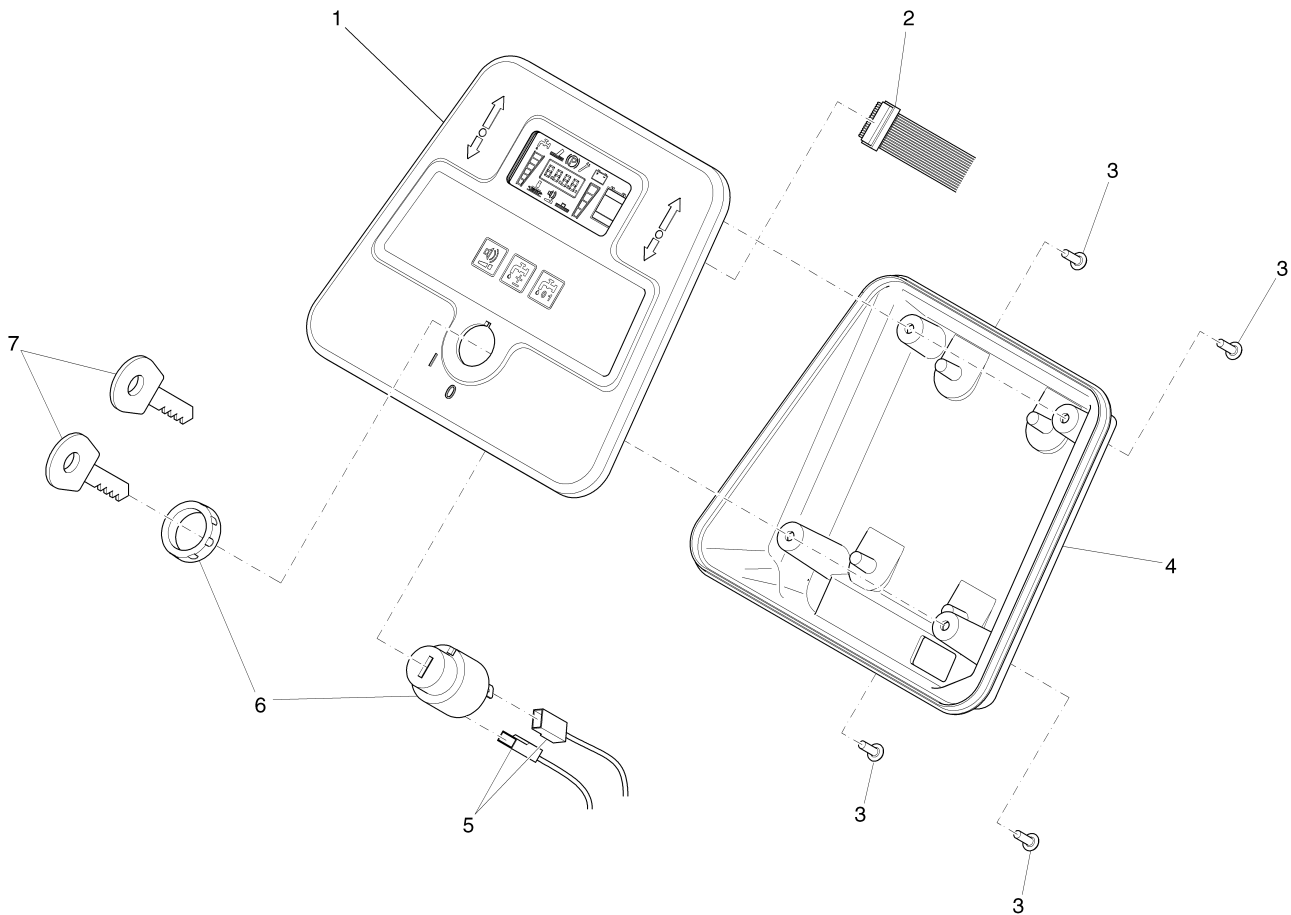


**Operation handle (97096523)**

| Item | Part number     | Description         | Qty.        | Remarks   |
|------|-----------------|---------------------|-------------|-----------|
| 1    | 01171380        | Lens flange screw   | 4           |           |
| 2    | 01079760        | Handle bar          | 1           |           |
| 3    | <b>97091839</b> | <b>Console cpl.</b> | <b>Page</b> | <b>49</b> |
| 4    | 01079770        | Sheet metal         | 1           |           |
| 5    | 01072520        | Lens flange screw   | 4           |           |
| 6    | 00874720        | Washer              | 4           |           |
| 7    | 00961490        | Self tapping screw  | 4           |           |
| 8    | 01079950        | Bail system         | 1           |           |
| 9    | 00051510        | Hexagon nut         | 2           |           |



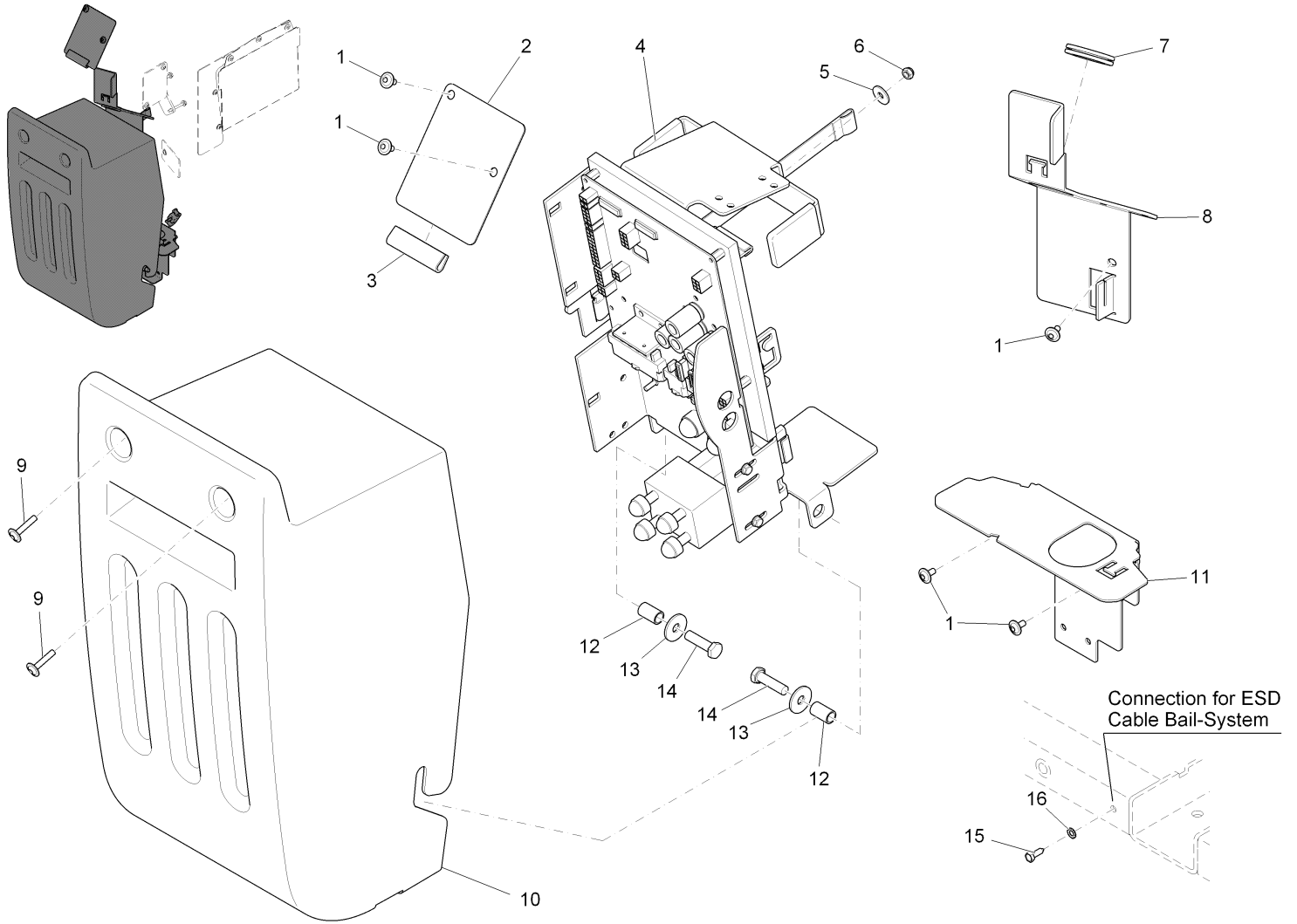
Console cpl. (97091839)



**Console cpl. (97091839)**

| <b>Item</b> | <b>Part number</b> | <b>Description</b> | <b>Qty.</b> | <b>Remarks</b> |
|-------------|--------------------|--------------------|-------------|----------------|
| 1           | 01079090           | Console B70/B90    | 1           |                |
| 2           | 01078930           | Ribbon cable       | 1           |                |
| 3           | 01078860           | Screw              | 4           |                |
| 4           | 01078940           | Console            | 1           |                |
| 5           | 01078950           | Cable key switch   | 1           |                |
| 6           | 00021710           | Key switch         | 1           |                |
| 7           | 00745890           | Set (2pc.) key     | 1           |                |

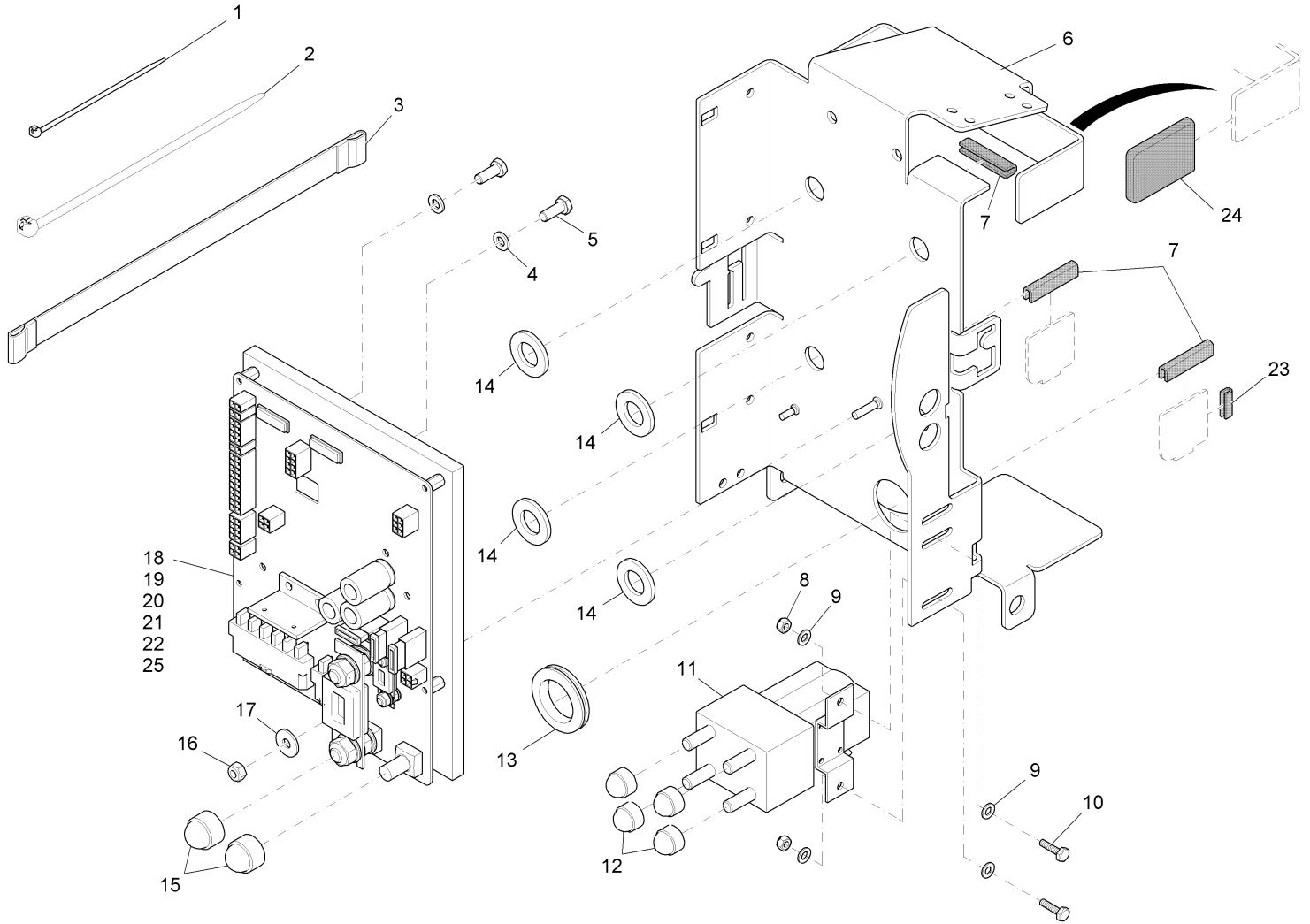
**Electric part 1 (97101968-1)**



**Electric part 1 (97101968-1)**

| Item | Part number     | Description          | Qty.        | Remarks   |
|------|-----------------|----------------------|-------------|-----------|
| 1    | 01072520        | Lens flange screw    | 5           |           |
| 2    | 01078570        | Sheet metal          | 1           |           |
| 3    | 00161240        | Edge protection      | 60mm        |           |
| 4    | <b>97102503</b> | <b>Retainer cpl.</b> | <b>Page</b> | <b>53</b> |
| 5    | 00153200        | Washer               | 1           |           |
| 6    | 00051520        | Hexagon nut          | 1           |           |
| 7    | 01079690        | Bushing              | 1           |           |
| 8    | 01078580        | Sheet metal          | 1           |           |
| 9    | 01174700        | Lens flange screw    | 2           |           |
| 10   | 01078270        | Covering             | 1           |           |
| 11   | 01078590        | Clamping plate       | 1           |           |
| 12   | 01078260        | Bushing              | 2           |           |
| 13   | 00042900        | Washer               | 2           |           |
| 14   | 00053110        | Hexagon screw        | 2           |           |
| 15   | 01073850        | Tapping screw        | 1           |           |
| 16   | 00857150        | Lock washer          | 1           |           |

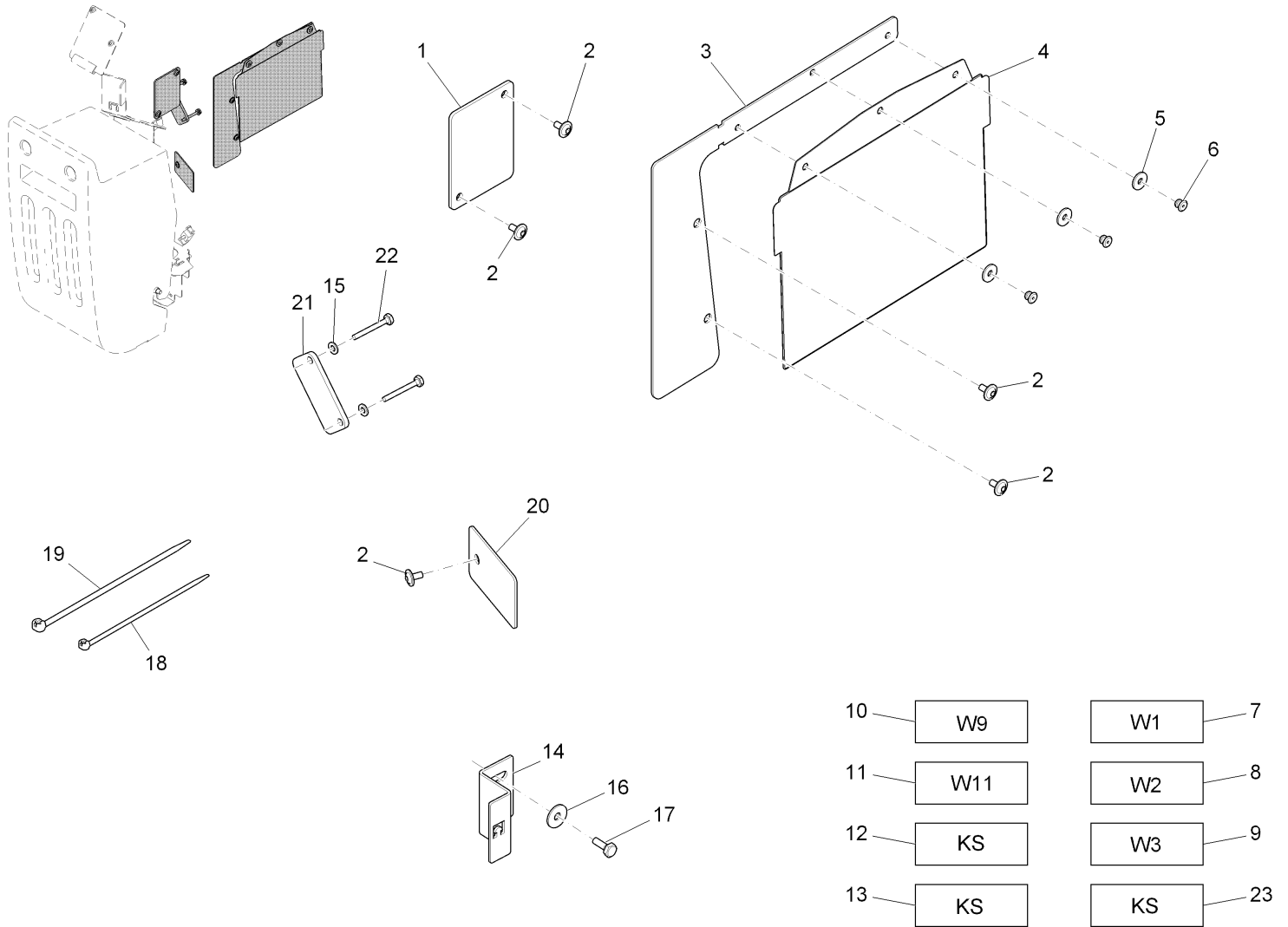
**Retainer cpl. (97102503)**



**Retainer cpl. (97102503)**

| Item | Part number | Description                    | Qty.  | Remarks |
|------|-------------|--------------------------------|-------|---------|
| 1    | 00967760    | Cable tie                      | 4     |         |
| 2    | 00121150    | Cable tie                      | 8     |         |
| 3    | 01077880    | Webbing                        | 1     |         |
| 4    | 00053730    | Washer                         | 2     |         |
| 5    | 00053010    | Hex.bolt                       | 2     |         |
| 6    | 01078640    | Retainer                       | 1     |         |
| 7    | 00721090    | Edge protection                | 120mm |         |
| 8    | 00051340    | Hexagon nut                    | 2     |         |
| 9    | 00053720    | Washer                         | 4     |         |
| 10   | 00054410    | Hex.bolt                       | 2     |         |
| 11   | 01170460    | Contacto                       | 1     |         |
| 12   | 00131610    | Lens cap                       | 4     |         |
| 13   | 01079690    | Bushing                        | 1     |         |
| 14   | 01078240    | Washer                         | 4     |         |
| 15   | 00747210    | Lens cap                       | 2     |         |
| 16   | 00051520    | Hexagon nut                    | 1     |         |
| 17   | 00135120    | Washer                         | 1     |         |
| 18   | 01171100    | Controller HIGH 8-fet BAIL-KUD | 1     |         |
| 19   | 00059580    | Fuse                           | 1     |         |
| 20   | 00902440    | Fuse                           | 1     |         |
| 21   | 00733630    | Fuse                           | 1     |         |
| 22   | 00972430    | Fuse link                      | 1     |         |
| 23   | 00721090    | Edge protection                | 30mm  |         |
| 24   | 01074240    | Cap                            | 2     |         |
| 25   | 00906120    | Fuse                           | 1     |         |

**Electric part 2 (97101968-2)**

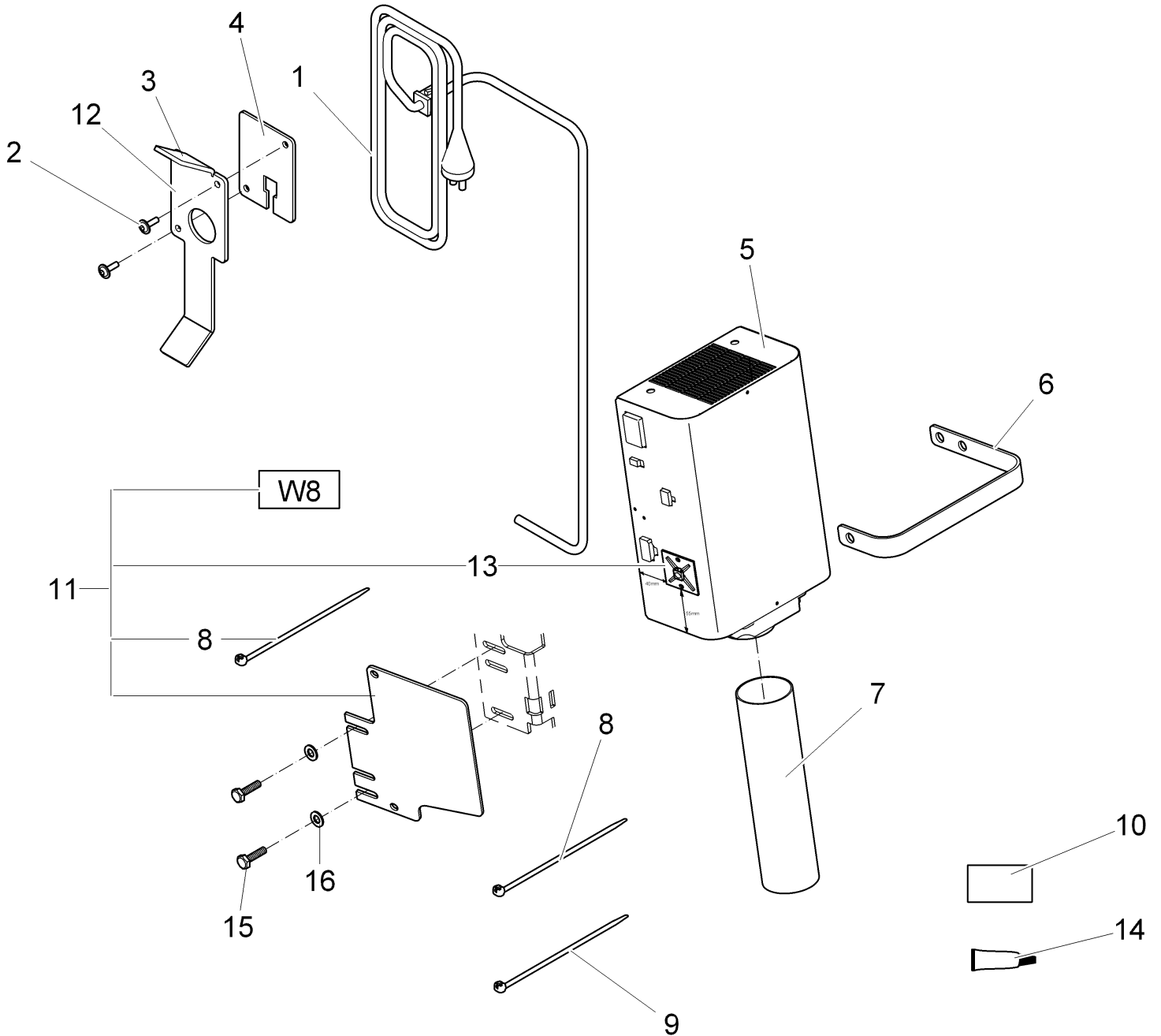


**Electric part 2 (97101968-2)**

| Item | Part number | Description        | Qty. | Remarks |
|------|-------------|--------------------|------|---------|
| 1    | 01078600    | Covering           | 1    |         |
| 2    | 01072520    | Lens flange screw  | 7    |         |
| 3    | 01078610    | Sheet metal        | 1    |         |
| 4    | 01078280    | Bag                | 1    |         |
| 5    | 00555520    | Washer             | 3    |         |
| 6    | 01078290    | Blind rivet        | 3    |         |
| 7    | 03008120    | Wiring harness W1  | 1    |         |
| 8    | 03008130    | Wiring harness W2  | 1    |         |
| 9    | 03008200    | Wiring harness W3  | 1    |         |
| 10   | 03008590    | Wiring harness W9  | 1    |         |
| 11   | 03008160    | Wiring harness W11 | 1    |         |
| 12   | 03008170    | Cable loom         | 1    |         |
| 13   | 03008180    | Cable loom         | 1    |         |
| 14   | 01170450    | Clamping plate     | 1    |         |
| 15   | 00053730    | Washer             | 2    |         |
| 16   | 00042900    | Washer             | 1    |         |
| 17   | 00053090    | Hexagon screw      | 1    |         |
| 18   | 00121150    | Cable tie          | 10   |         |
| 19   | 00967760    | Cable tie          | 2    |         |
| 20   | 01078630    | Sheet metal        | 1    |         |
| 21   | 01170500    | Distance plate     | 1    |         |
| 22   | 00535110    | Hex.bolt           | 2    |         |
| 23   | 03007780    | Cable loom         | 1    |         |



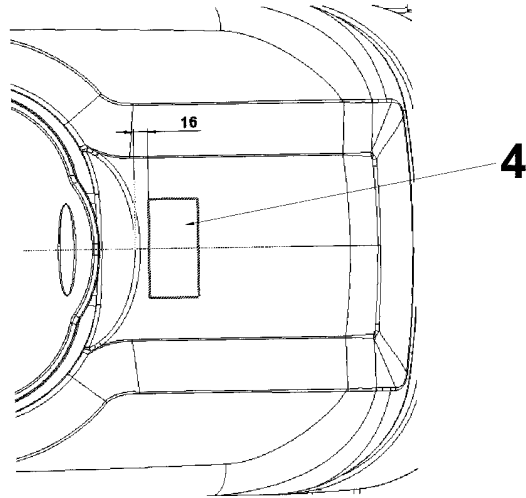
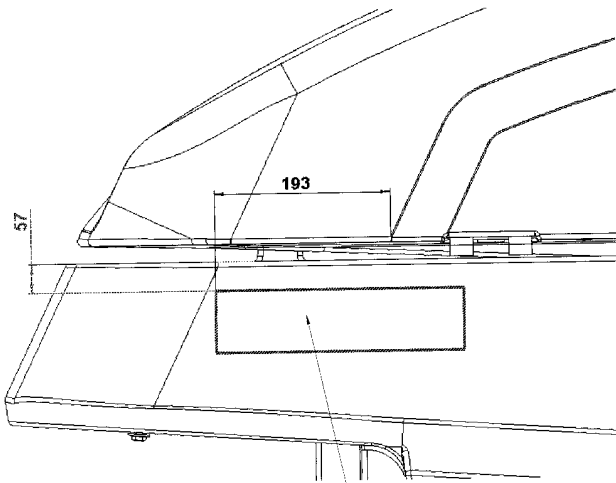
**Battery charger 24V 22A (97099436)**



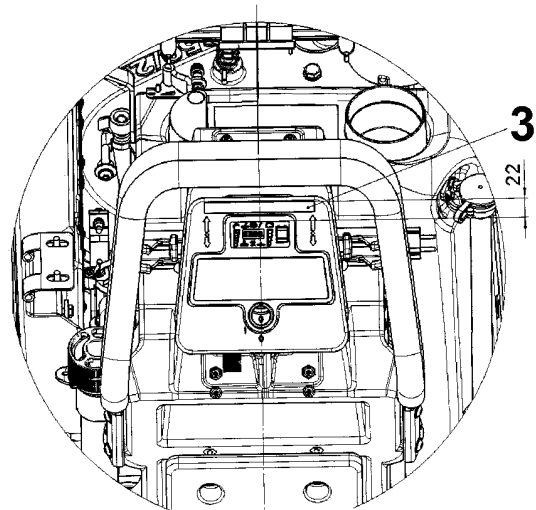
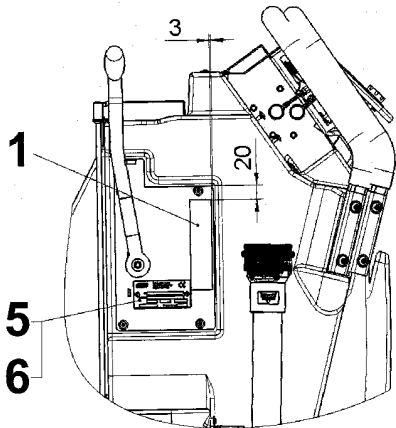
**Battery charger 24V 22A (97099436)**

| Item | Part number | Description                    | Qty. | Remarks                          |
|------|-------------|--------------------------------|------|----------------------------------|
| 1    | 01079380    | Power cable                    | 1    |                                  |
| 2    | 01017640    | Lens flange screw              | 2    |                                  |
| 3    | 01074240    | Cap                            | 2    | To stick on pos.12 with Loctite! |
| 4    | 01079360    | Covering                       | 1    |                                  |
| 5    | 01079370    | On-board charger 24V 22A 120V  | 1    |                                  |
| 6    | 01077870    | Tension band                   | 1    |                                  |
| 7    | 01078320    | Hose                           | 3    |                                  |
| 8    | 00121150    | Cable tie                      | 8    |                                  |
| 9    | 00967760    | Cable tie                      | 1    |                                  |
| 10   | 03006770    | Wire harness W6                | 1    |                                  |
| 11   | 01172530    | Retool kit BATTERY CHARGER 30A | 1    |                                  |
| 12   | 01079390    | Cable retainer                 | 1    |                                  |
| 13   | 01178010    | Attachment base                | 1    |                                  |
| 14   | 03009180    | Grease                         | 1    |                                  |
| 15   | 00054410    | Hex.bolt                       | 1    |                                  |
| 16   | 00053720    | Washer                         | 1    |                                  |

Labels (97121412)



**2, 7, 8**



**Labels (97121412)**

| Item | Part number | Description          | Qty. | Remarks                   |
|------|-------------|----------------------|------|---------------------------|
| 1    | 01170740    | Decal                | 1    |                           |
| 2    | 03008490    | Decal PHOENIX 28     | 2    |                           |
| 3    | 03008500    | Decal PHOENIX SERIES | 1    |                           |
| 4    | 03008510    | Decal POWER BOSS     | 1    |                           |
| 5    | 03008410    | Type plate POWERBOSS | 1    |                           |
| 6    | 00504370    | Blind rivet          | 2    |                           |
| 7    | 03008520    | Decal PHOENIX 30     | 2    |                           |
| 8    | XXXXXXXX    | no part-No. til yet  | 2    | 17205877 Decal PHOENIX 33 |

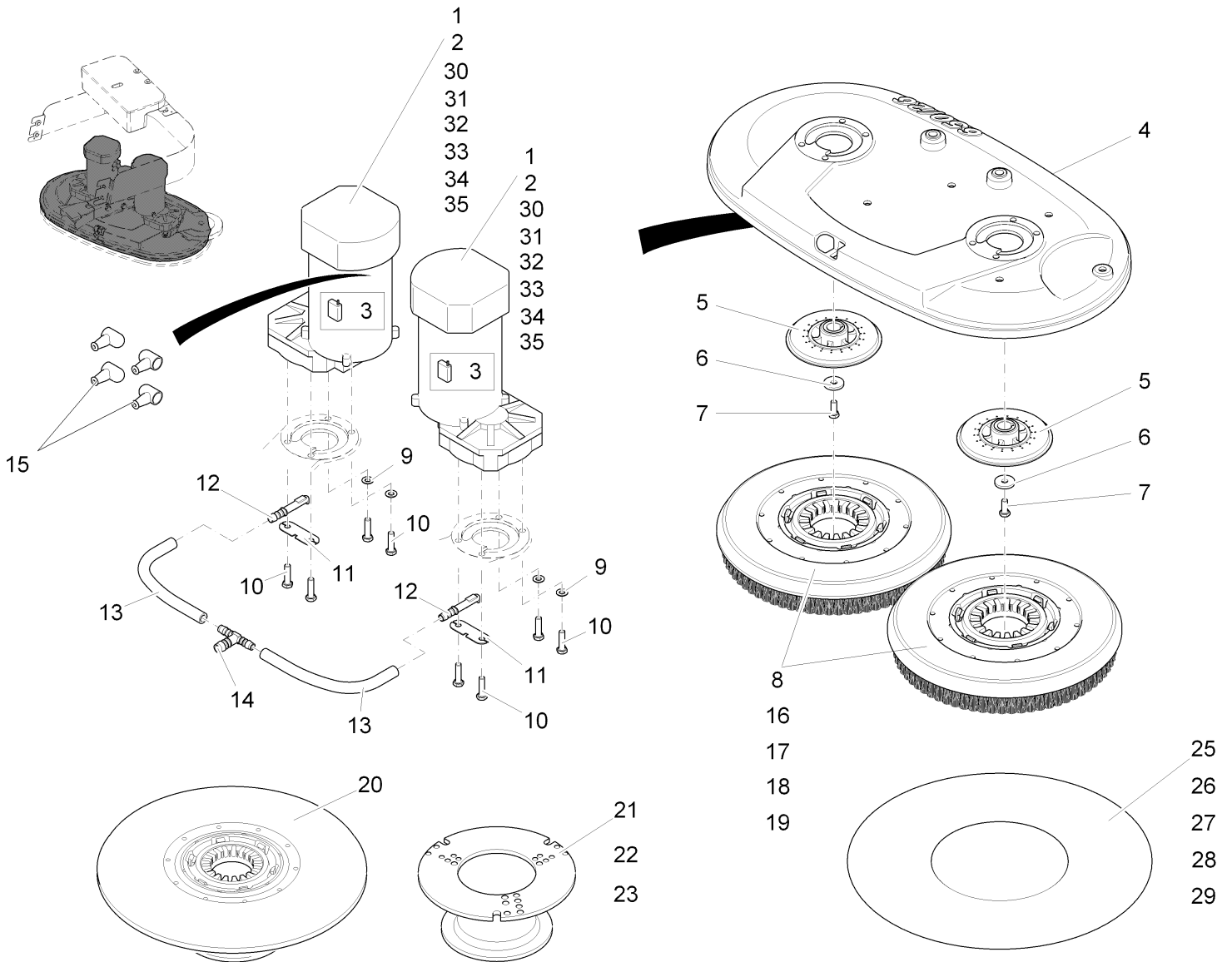
**Optional brush decks (Opt 7311-43-44)**

| <b>Assembly</b> | <b>Description</b>                | <b>Page</b> |
|-----------------|-----------------------------------|-------------|
| 99710900        | Disk brush head 65cm              | 62          |
| 99701800        | Disk brush head 75cm              | 71          |
| 99702400        | Disk brush head 85cm              | 80          |
| 99757602        | Cylindrical brush drive head 60cm | 89          |
| 99703600        | Cylindrical brush drive head 70cm | 103         |

**Disk brush head 65cm (7109.00)**

| <b>Assembly</b> | <b>Description</b>      | <b>Page</b> |
|-----------------|-------------------------|-------------|
| 97099196-1      | Brush head DB65 part 1  | 63          |
| 97099196-2      | Brush head DB650 part 2 | 67          |
| 97099196-3      | Brush head DB650 part 3 | 69          |

**Brush head DB65 part 1 (97099196-1)**

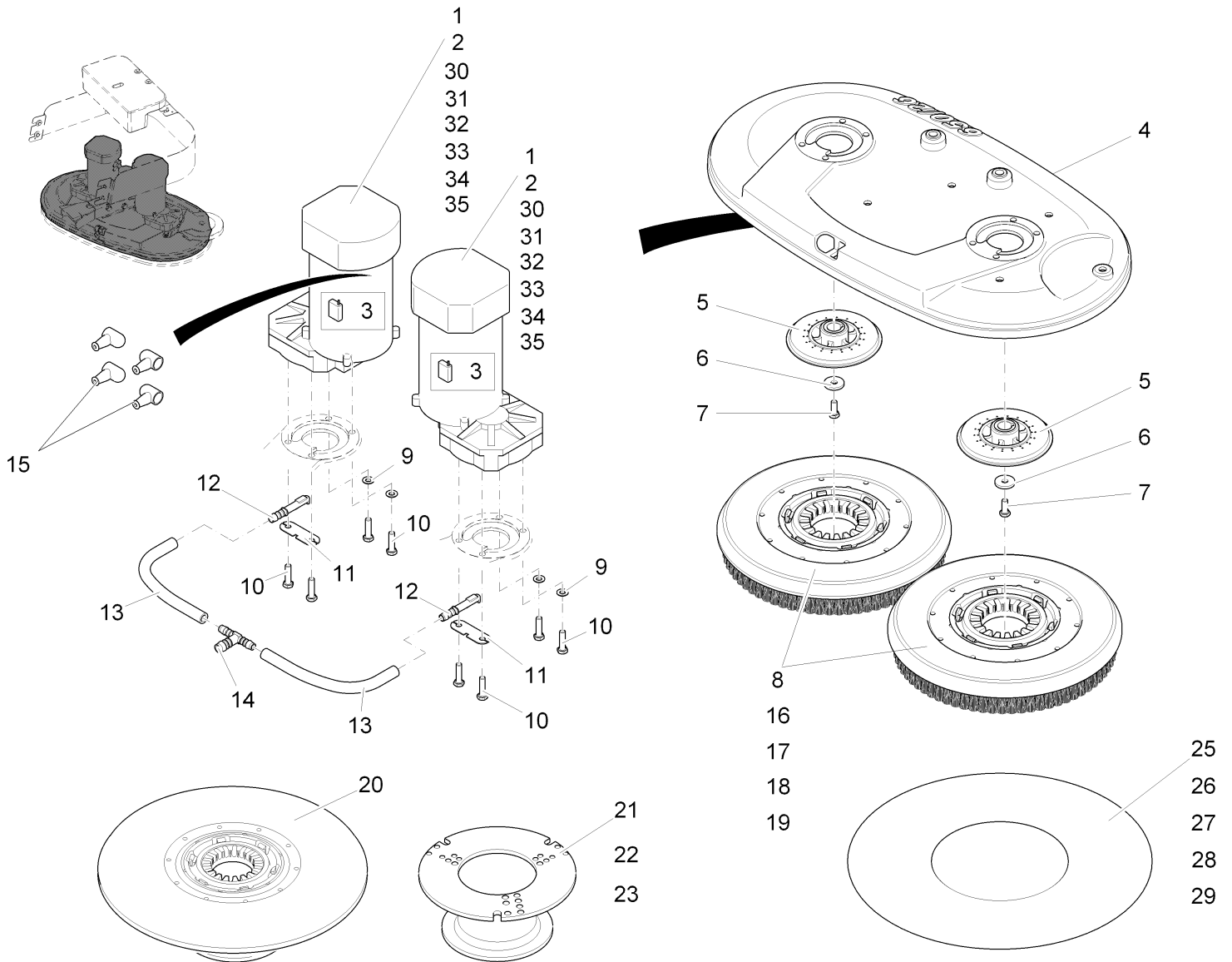


**Brush head DB65 part 1 (97099196-1)**

| Item | Part number | Description                  | Qty.  | Remarks  |
|------|-------------|------------------------------|-------|--|
| 1    | 01077180    | Motor                        | 2     |  |
| 2    | 01077230    | Fitting key                  | 2     |  |
| 3    | 01077240    | Set (4pc.) Carbon brush      | 1     |  |
| 4    | 03008050    | Housing                      | 1     |  |
| 5    | 00512400    | Carrier                      | 2     |  |
| 6    | 00879170    | Washer                       | 2     |  |
| 7    | 00053090    | Hexagon screw                | 2     |  |
| 8    | 99751300    | Brush 330 PPN 0,5            | 2     | Degree of soiling light to medium, bristling PPN0,5 plastic material                           |
| 9    | 00053750    | Washer                       | 4     |  |
| 10   | 00053110    | Hexagon screw                | 8     |  |
| 11   | 01077750    | Sheet metal                  | 2     |  |
| 12   | 01078330    | Spray tube                   | 2     |  |
| 13   | 00180190    | Hose                         | 460mm |  |
| 14   | 00901310    | T-reducer muff               | 1     |  |
| 15   | 01078070    | Protection cap               | 4     |  |
| 16   | 99751500    | Brush 330 PPN 0,8            | 2     | Degree of soiling medium to heavy, bristling PPN0,8 plastic material                           |
| 17   | 99751700    | Brush 330 K 901              | 2     | Degree of soiling light to medium, structured flooring, bristling mixed plastic material K 901 |
| 18   | 99751900    | Brush 330 SI-enforced PA 1,0 | 2     | Very heavy soiling and basic cleaning, bristling SIC PA 6 grain 180 gray                       |
| 19   | 99752100    | Brush 330 SIC 6,12           | 2     | Extremely heavy soiling and basic cleaning, bristling SIC PA 6.12 grain 120 green              |
| 20   | 99752300    | Pad holder                   | 1     |  |
| 21   | 00681500    | Center-lock, lower part      | 1     |  |
| 22   | 00961490    | Self tapping screw           | 3     |  |
| 23   | 00681490    | Center-lock, upper part      | 1     |  |
| 25   | 99752505    | Carton pad red 13" (5pcs)    | 1     | Light soiling, red   |
| 26   | 99787105    | Carton pad green 13" (5pcs)  | 1     | Medium soiling and maintenance cleaning, green   |
| 27   | 99752705    | Carton pad brown 13" (5pcs)  | 1     | Maintenance cleaning, brown  |
| 28   | 99752905    | Carton pad black 13" (5pcs)  | 1     | Basic cleaning and heavy soiling, black  |
| 29   | 99708502    | Micro-fibre pad 13"          | 2     |  |
| 30   | 01077250    | Spring                       | 1     |  |
| 31   | 01077210    | Gear                         | 1     |  |



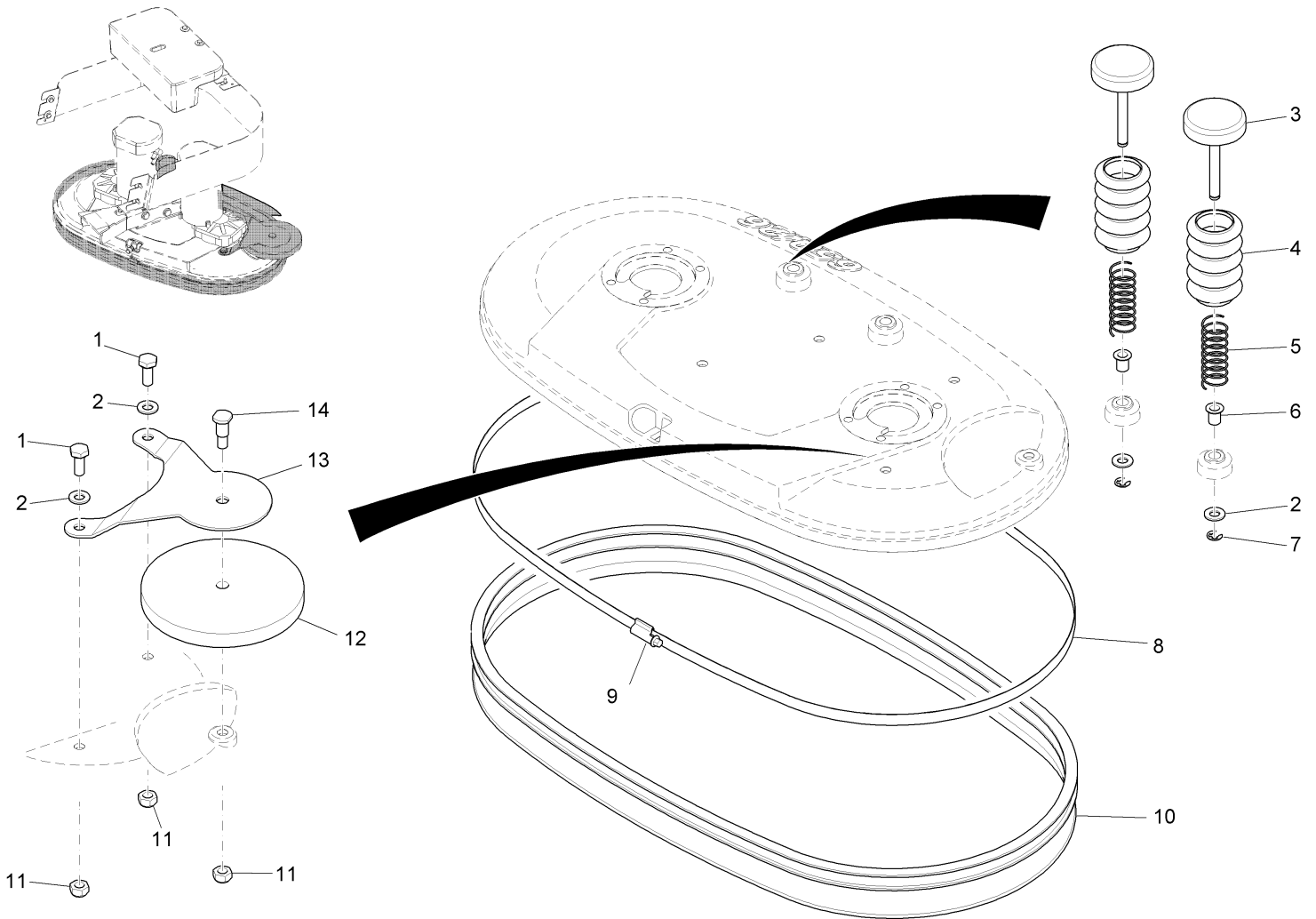
**Brush head DB65 part 1 (97099196-1)**



**Brush head DB65 part 1 (97099196-1)**

| <b>Item</b> | <b>Part number</b> | <b>Description</b> | <b>Qty.</b> | <b>Remarks</b> |
|-------------|--------------------|--------------------|-------------|----------------|
| 32          | 01077220           | Circlip            | 1           |                |
| 33          | 01178440           | Covering           | 1           |                |
| 34          | 01178450           | Covering           | 1           |                |
| 35          | 01178460           | Bolt               | 1           |                |

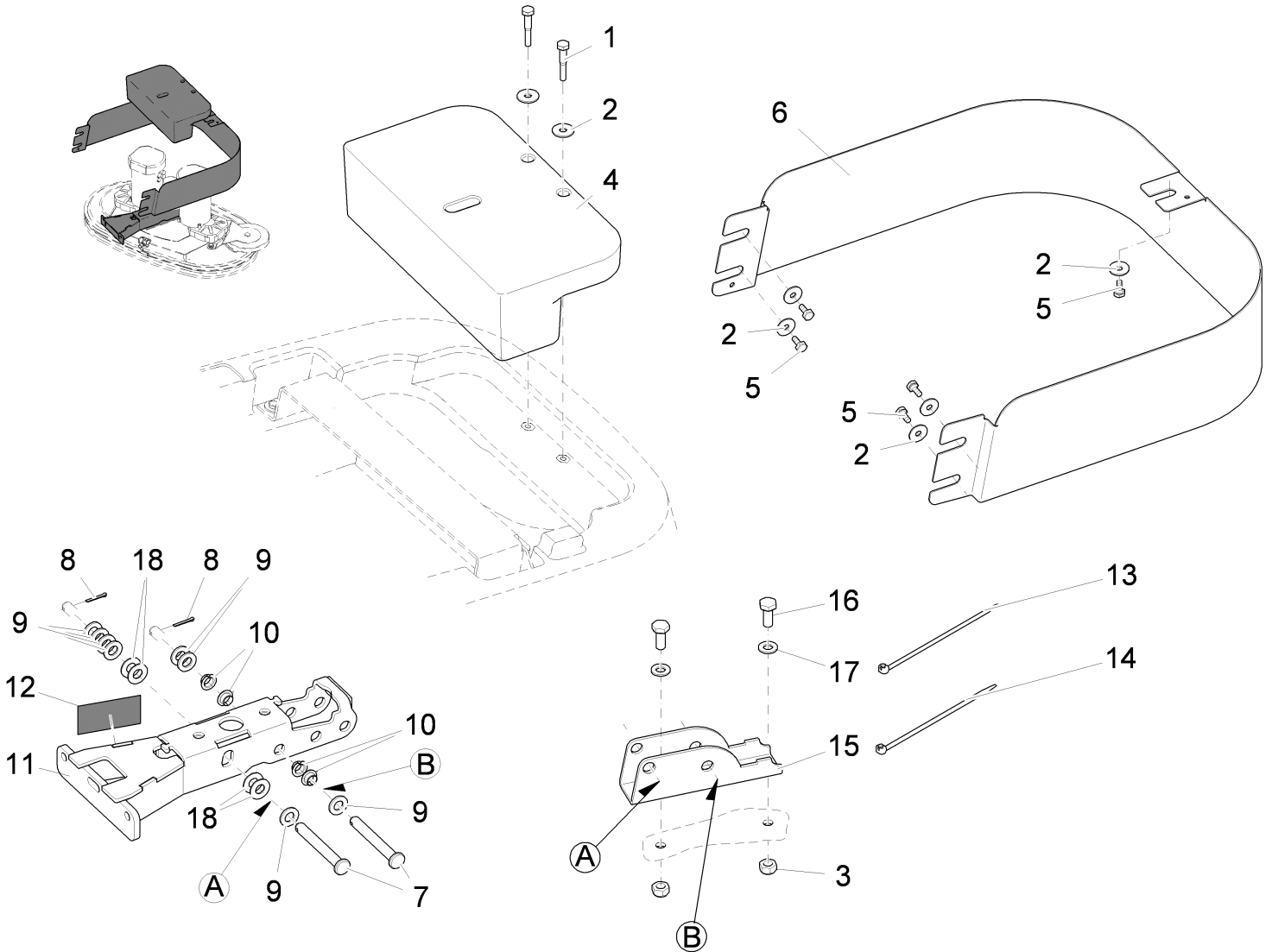
**Brush head DB650 part 2 (97099196-2)**



**Brush head DB650 part 2 (97099196-2)**

| Item | Part number | Description        | Qty.   | Remarks |
|------|-------------|--------------------|--------|---------|
| 1    | 00053310    | Hexagon screw      | 2      |         |
| 2    | 00053760    | Washer             | 4      |         |
| 3    | 01078000    | Ejector            | 2      |         |
| 4    | 01078350    | Bellow             | 2      |         |
| 5    | 01078340    | Compression spring | 2      |         |
| 6    | 01078360    | Slide bearing bush | 2      |         |
| 7    | 00046280    | Thrust washer      | 2      |         |
| 8    | 00712300    | Tension band       | 1840mm |         |
| 9    | 00901390    | Tension band lock  | 1      |         |
| 10   | 01077490    | Sealing strip      | 1      |         |
| 11   | 00051500    | Hexagon nut        | 3      |         |
| 12   | 01078060    | Deflector roller   | 1      |         |
| 13   | 01077560    | Retainer           | 1      |         |
| 14   | 01077570    | Screw              | 1      |         |

**Brush head DB650 part 3 (97099196-3)**



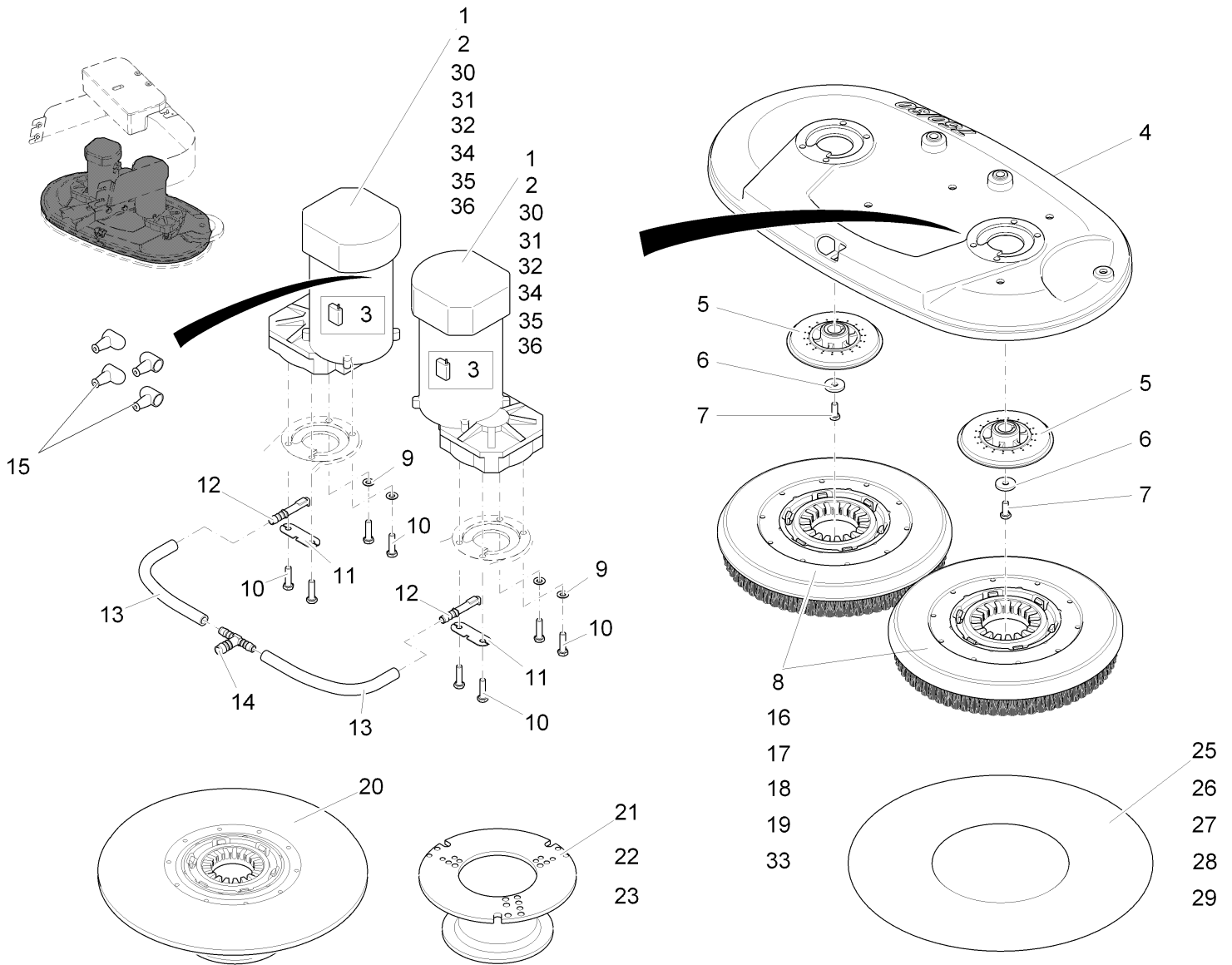
**Brush head DB650 part 3 (97099196-3)**

| Item | Part number | Description        | Qty. | Remarks |
|------|-------------|--------------------|------|---------|
| 1    | 00053120    | Hexagon screw      | 2    |         |
| 2    | 00042900    | Washer             | 7    |         |
| 3    | 00051500    | Hexagon nut        | 2    |         |
| 4    | 03008090    | Weight             | 1    |         |
| 5    | 00053080    | Hexagon screw      | 5    |         |
| 6    | 01170210    | Covering           | 1    |         |
| 7    | 01078040    | Bolt               | 2    |         |
| 8    | 00054870    | Cotter pin         | 2    |         |
| 9    | 00053770    | Washer             | 8    |         |
| 10   | 01171330    | Slide bearing bush | 4    |         |
| 11   | 01171350    | Rocker             | 1    |         |
| 12   | 03008790    | Backing film       | 1    |         |
| 13   | 00121150    | Cable tie          | 3    |         |
| 14   | 00967760    | Cable tie          | 2    |         |
| 15   | 01171390    | Retainer           | 1    |         |
| 16   | 00053310    | Hexagon screw      | 2    |         |
| 17   | 00053760    | Washer             | 2    |         |
| 18   | 01102770    | Approach disk      | 4    |         |

**Disk brush head 75cm (7018.00)**

| <b>Assembly</b> | <b>Description</b>      | <b>Page</b> |
|-----------------|-------------------------|-------------|
| 97099188-1      | Brush head DB750 part 1 | 72          |
| 97099188-2      | Brush head DB750 part 2 | 76          |
| 97099188-3      | Brush head DB750 part 3 | 78          |

**Brush head DB750 part 1 (97099188-1)**

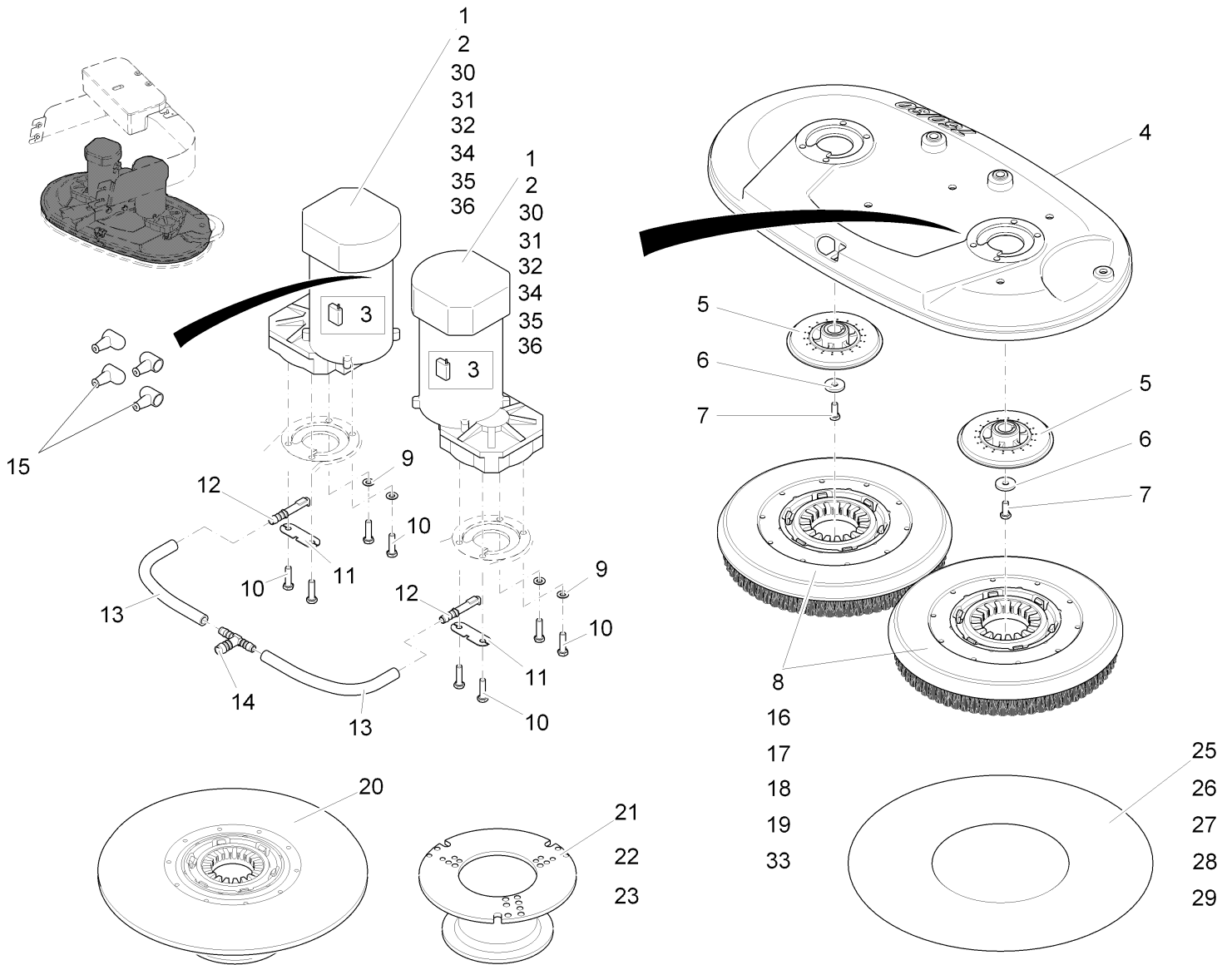




**Brush head DB750 part 1 (97099188-1)**

| Item | Part number | Description                     | Qty.  | Remarks  |
|------|-------------|---------------------------------|-------|--|
| 1    | 01077180    | Motor                           | 2     |  |
| 2    | 01077230    | Fitting key                     | 2     |  |
| 3    | 01077240    | Set (4pc.) Carbon brush         | 1     |  |
| 4    | 03008030    | Housing                         | 1     |  |
| 5    | 00512400    | Carrier                         | 2     |  |
| 6    | 00879170    | Washer                          | 2     |  |
| 7    | 00053090    | Hexagon screw                   | 2     |  |
| 8    | 99751400    | Brush 380 PPN 0,5               | 2     | Degree of soiling light to medium, bristling PPN0,5 plastic material                           |
| 9    | 00101550    | Washer                          | 4     |  |
| 10   | 00053110    | Hexagon screw                   | 8     |  |
| 11   | 01077750    | Sheet metal                     | 2     |  |
| 12   | 01078330    | Spray tube                      | 2     |  |
| 13   | 00180190    | Hose                            | 540mm |  |
| 14   | 00901310    | T-reducer muff                  | 1     |  |
| 15   | 01078070    | Protection cap                  | 4     |  |
| 16   | 99751800    | Brush 380 K 901                 | 2     | Degree of soiling light to medium, structured flooring, bristling mixed plastic material K 901 |
| 17   | 99751600    | Brush D = 380 PPN 0,8           | 2     | Degree of soiling medium to heavy, bristling PPN0,8 plastic material                           |
| 18   | 99730800    | Plate brush 380 SiC 6.12        | 2     | Degree of soiling medium to heavy, SIC PA 6 Corn 600 grey                                      |
| 19   | 99784300    | Plate brush 430 SIC PA 6.1 K180 | 2     | Very heavy soiling and basic cleaning, bristling SIC PA 6 grain 180 gray                       |
| 20   | 99752400    | Pad holder                      | 1     |  |
| 21   | 00681500    | Center-lock, lower part         | 1     |  |
| 22   | 00961490    | Self tapping screw              | 3     |  |
| 23   | 00681490    | Center-lock, upper part         | 1     |  |
| 25   | 99752605    | Carton pad red 15" (5pcs)       | 1     | Light soiling, red   |
| 26   | 99787205    | Carton pad green 15" (5pcs)     | 1     | Medium soiling and maintenance cleaning, green   |
| 27   | 99752805    | Carton pad brown 15" (5pcs)     | 1     | Maintenance cleaning, brown  |
| 28   | 99753005    | Carton pad black 15" (5pcs)     | 1     | Basic cleaning and heavy soiling, black  |
| 29   | 99708602    | Micro-fibre pad 15"             | 2     |  |
| 30   | 01077250    | Spring                          | 1     |  |
| 31   | 01077210    | Gear                            | 1     |  |
| 32   | 01077220    | Circlip                         | 1     |  |

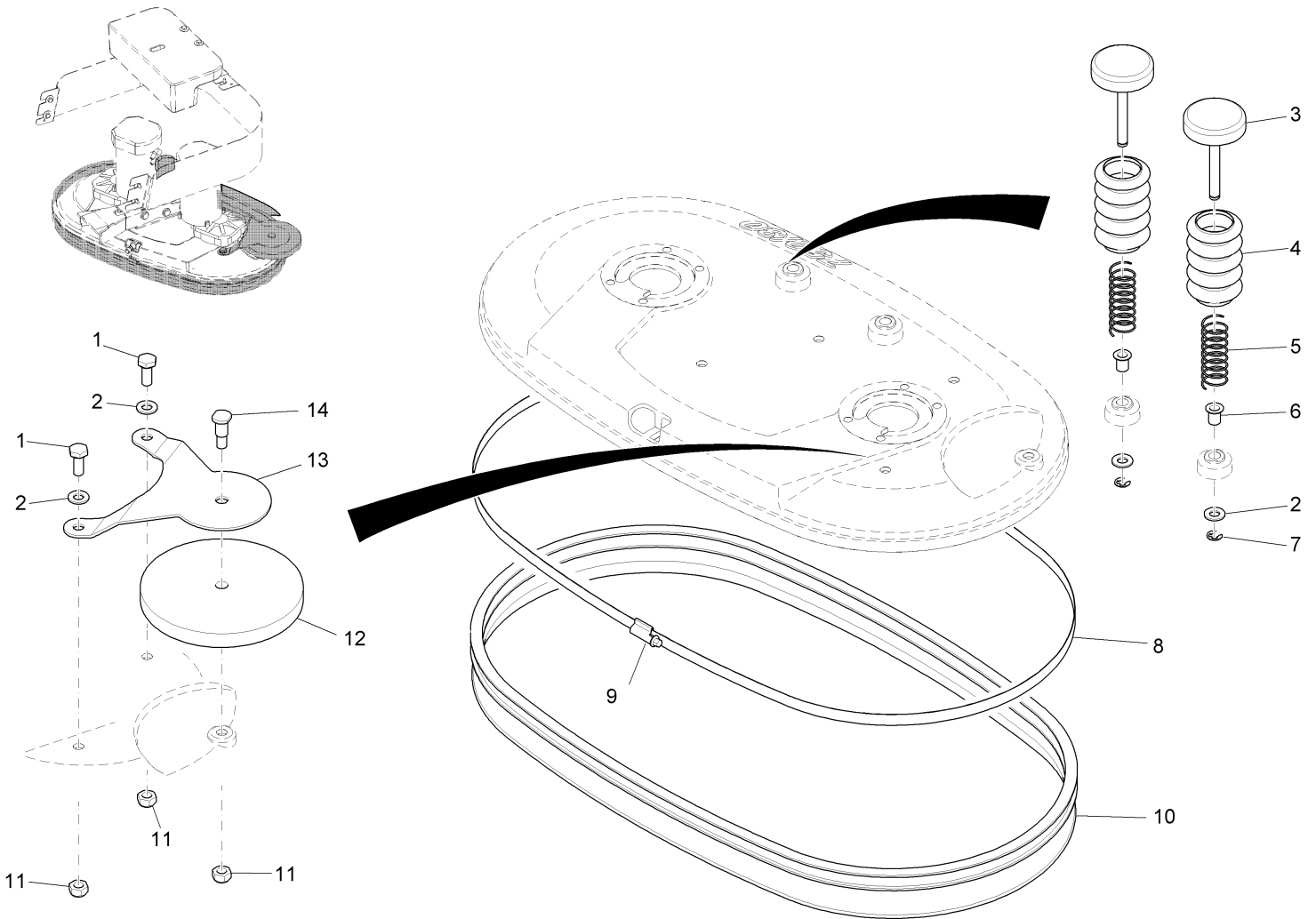
**Brush head DB750 part 1 (97099188-1)**



**Brush head DB750 part 1 (97099188-1)**

| Item | Part number | Description                     | Qty. | Remarks   |
|------|-------------|---------------------------------|------|---|
| 33   | 99784500    | Plate brush 430 SIC PA 6.1 K120 | 2    | Extremely heavy soiling and basic cleaning, bristling SIC PA 6.12 grain 120 green |
| 34   | 01178440    | Covering                        | 1    |   |
| 35   | 01178450    | Covering                        | 1    |   |
| 36   | 01178460    | Bolt                            | 1    |   |

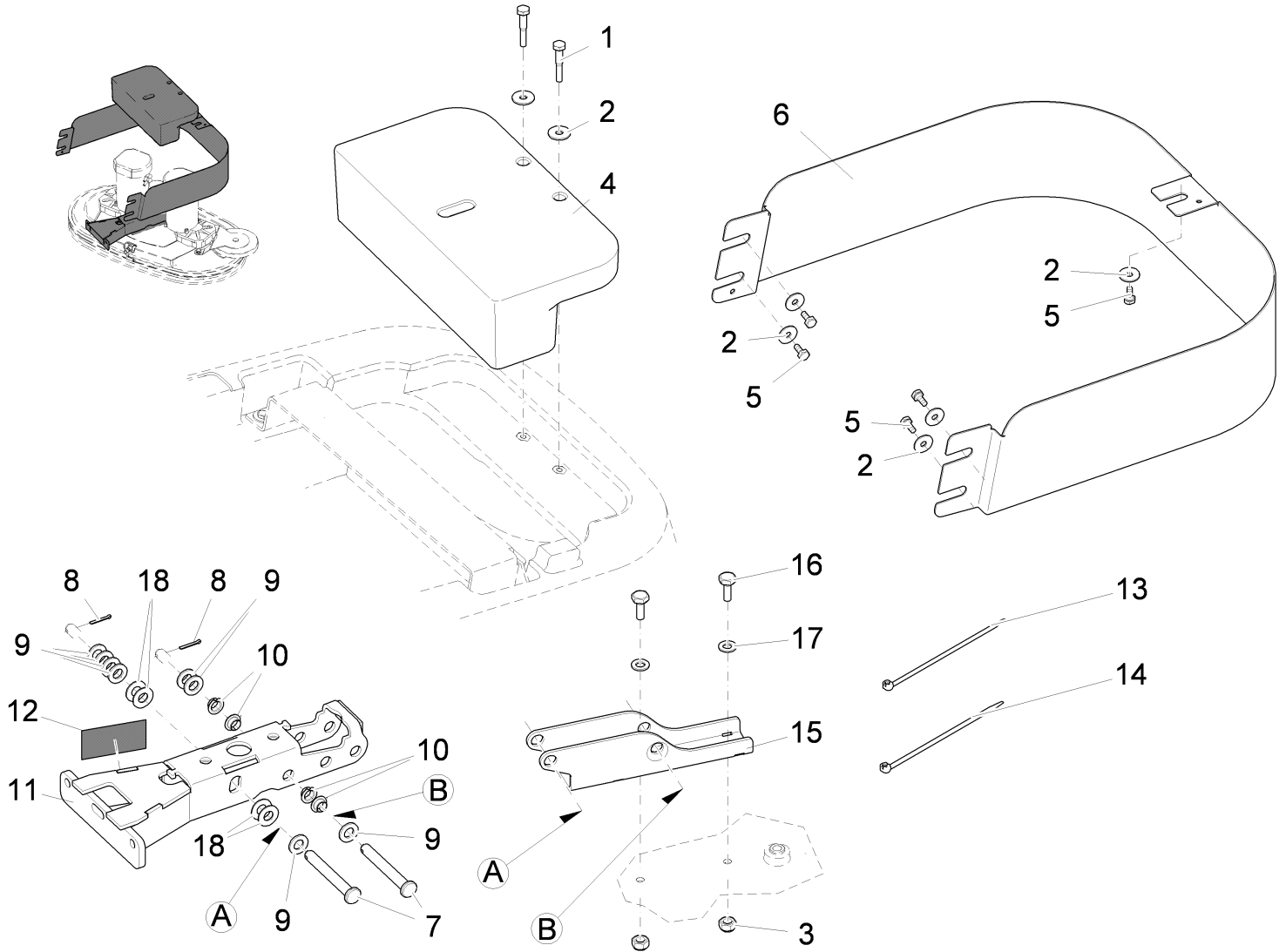
**Brush head DB750 part 2 (97099188-2)**



**Brush head DB750 part 2 (97099188-2)**

| Item | Part number | Description        | Qty.    | Remarks |
|------|-------------|--------------------|---------|---------|
| 1    | 00053310    | Hexagon screw      | 2       |         |
| 2    | 00053760    | Washer             | 2       |         |
| 3    | 01078000    | Ejector            | 2       |         |
| 4    | 01078350    | Bellow             | 2       |         |
| 5    | 01078340    | Compression spring | 2       |         |
| 6    | 01078360    | Slide bearing bush | 2       |         |
| 7    | 00046280    | Thrust washer      | 2       |         |
| 8    | 00712300    | Tension band       | 2180 mm |         |
| 9    | 00901390    | Tension band lock  | 1       |         |
| 10   | 01079960    | Sealing strip      | 1       |         |
| 11   | 00051500    | Hexagon nut        | 3       |         |
| 12   | 01170190    | Deflector roller   | 1       |         |
| 13   | 01170180    | Retainer           | 1       |         |
| 14   | 01077570    | Screw              | 1       |         |

**Brush head DB750 part 3 (97099188-3)**



**Brush head DB750 part 3 (97099188-3)**

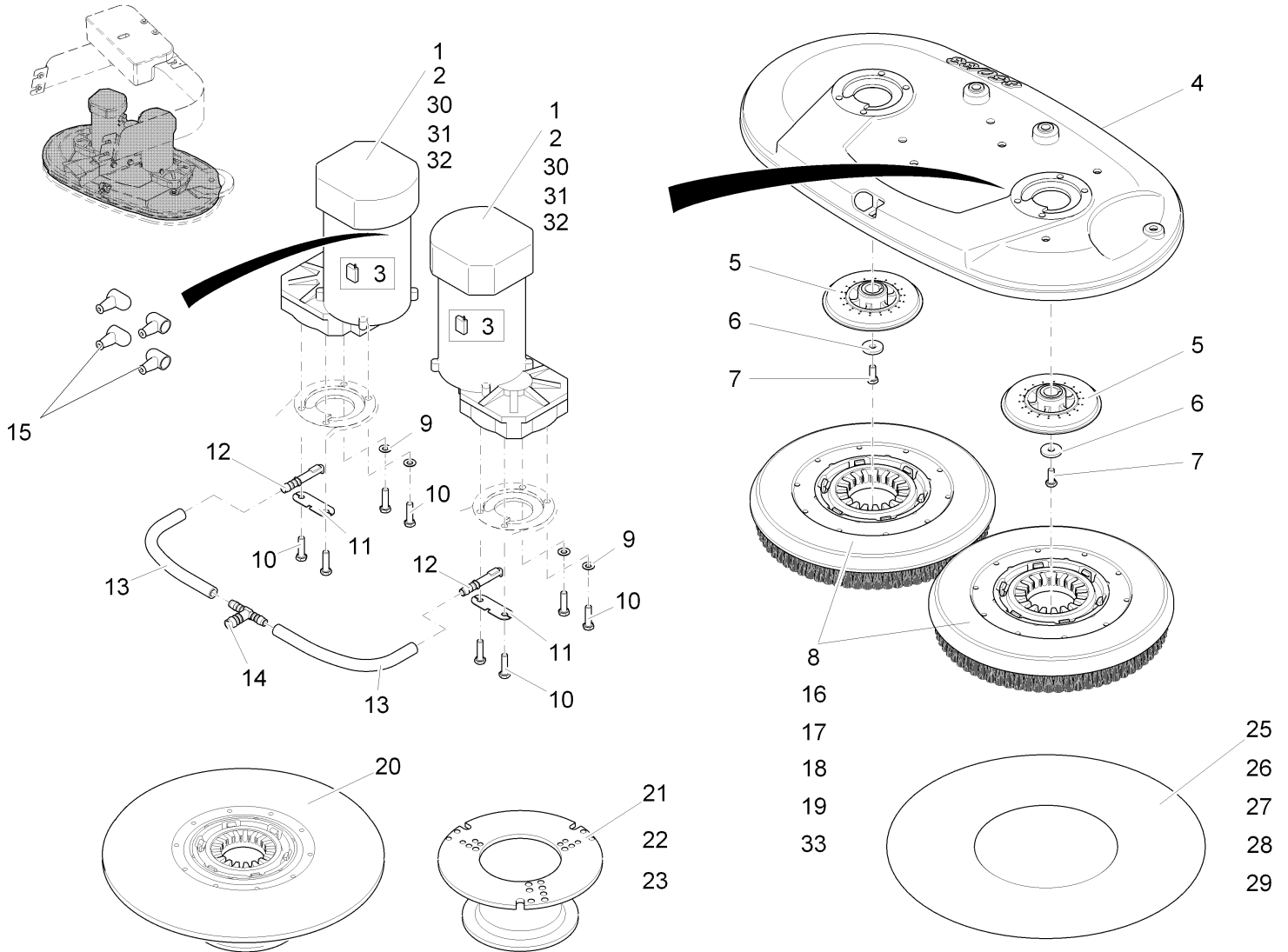
| Item | Part number | Description        | Qty. | Remarks |
|------|-------------|--------------------|------|---------|
| 1    | 00053120    | Hexagon screw      | 2    |         |
| 2    | 00042900    | Washer             | 7    |         |
| 3    | 00051500    | Hexagon nut        | 2    |         |
| 4    | 03008090    | Weight             | 1    |         |
| 5    | 00053080    | Hexagon screw      | 5    |         |
| 6    | 01170210    | Covering           | 1    |         |
| 7    | 01078040    | Bolt               | 2    |         |
| 8    | 00054870    | Cotter pin         | 2    |         |
| 9    | 00053770    | Washer             | 4    |         |
| 10   | 01171330    | Slide bearing bush | 4    |         |
| 11   | 01171350    | Rocker             | 1    |         |
| 12   | 03008790    | Backing film       | 1    |         |
| 13   | 00121150    | Cable tie          | 3    |         |
| 14   | 00967760    | Cable tie          | 2    |         |
| 15   | 01170200    | Retainer           | 1    |         |
| 16   | 00053310    | Hexagon screw      | 2    |         |
| 17   | 00053760    | Washer             | 2    |         |
| 18   | 01102770    | Approach disk      | 4    |         |

**Disk brush head 85cm (7024.00)**

| <b>Assembly</b> | <b>Description</b>     | <b>Page</b> |
|-----------------|------------------------|-------------|
| 97099212-1      | Brush head DB33 part 1 | 81          |
| 97099212-2      | Brush head DB33 part 2 | 85          |
| 97099212-3      | Brush head DB33 part 3 | 87          |



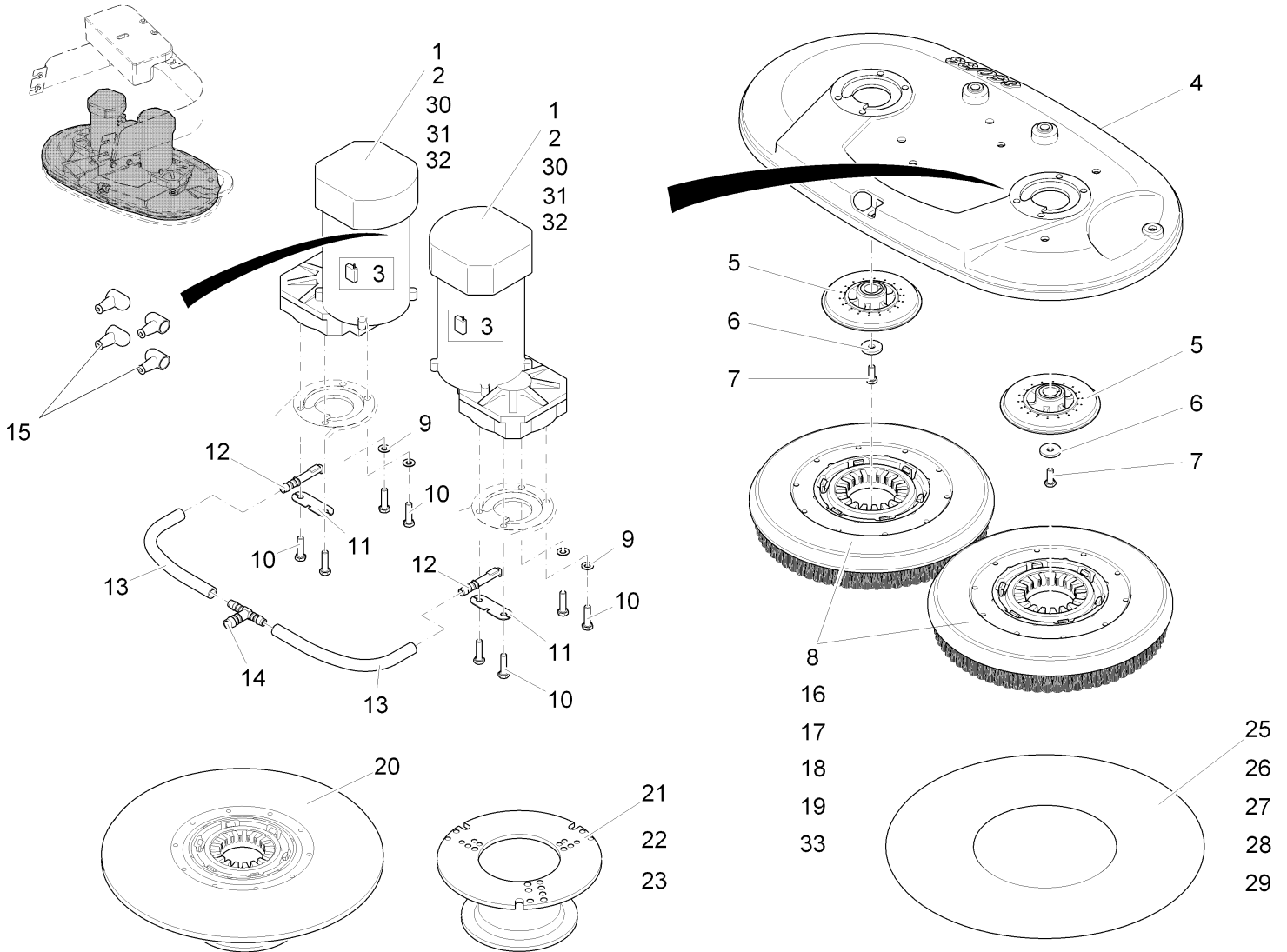
**Brush head DB33 part 1 (97099212-1)**



**Brush head DB33 part 1 (97099212-1)**

| Item | Part number | Description                     | Qty.  | Remarks  |
|------|-------------|---------------------------------|-------|--|
| 1    | 01170220    | Motor SCOTT 700W                | 2     |  |
| 2    | 01077230    | Fitting key                     | 2     |  |
| 3    | 01077240    | Set (4pc.) Carbon brush         | 1     |  |
| 4    | 03008040    | Housing                         | 1     |  |
| 5    | 00512400    | Carrier                         | 2     |  |
| 6    | 00879170    | Washer                          | 2     |  |
| 7    | 00053090    | Hexagon screw                   | 2     |  |
| 8    | 99780600    | Plate brush 430 PPN 0,5         | 2     | Degree of soiling light to medium, bristling PPN0,5 plastic material                           |
| 9    | 00101550    | Washer                          | 4     |  |
| 10   | 00053110    | Hexagon screw                   | 8     |  |
| 11   | 01077750    | Sheet metal                     | 2     |  |
| 12   | 01078330    | Spray tube                      | 2     |  |
| 13   | 00180190    | Hose                            | 660mm |  |
| 14   | 00901310    | T-reducer muff                  | 1     |  |
| 15   | 01078070    | Protection cap                  | 4     |  |
| 16   | 99781600    | Plate brush 430 K901            | 2     | Degree of soiling light to medium, structured flooring, bristling mixed plastic material K 901 |
| 17   | 99783600    | Plate brush 430 PPN 0,8         | 2     | Degree of soiling medium to heavy, bristling PPN0,8 plastic material                           |
| 18   | 99782600    | Plate brush 430 SIC PA 6.1 K600 | 2     | Degree of soiling medium to heavy, SIC PA 6 Corn 600 grey                                      |
| 19   | 99784300    | Plate brush 430 SIC PA 6.1 K180 | 2     | Very heavy soiling and basic cleaning, bristling SIC PA 6 grain 180 gray                       |
| 20   | 99785700    | Pad holder with centre lock     | 1     |  |
| 21   | 00681500    | Center-lock, lower part         | 1     |  |
| 22   | 00961490    | Self tapping screw              | 3     |  |
| 23   | 00681490    | Center-lock, upper part         | 1     |  |
| 25   | 99783805    | Carton pad red 17" (5pcs)       | 1     | Light soiling, red   |
| 26   | 99764705    | Carton pad green 17" (5pcs)     | 1     | Medium soiling and maintenance cleaning, green   |
| 27   | 99783705    | Carton pad brown 17" (5pcs)     | 1     | Maintenance cleaning, brown  |
| 28   | 99784005    | Carton pad black 17" (5pcs)     | 1     | Basic cleaning and heavy soiling, black  |
| 29   | 99785002    | Micro-fibre pad 17"             | 1     |  |
| 30   | 01077250    | Spring                          | 1     |  |
| 31   | 01077210    | Gear                            | 1     |  |
| 32   | 01077220    | Circlip                         | 1     |  |

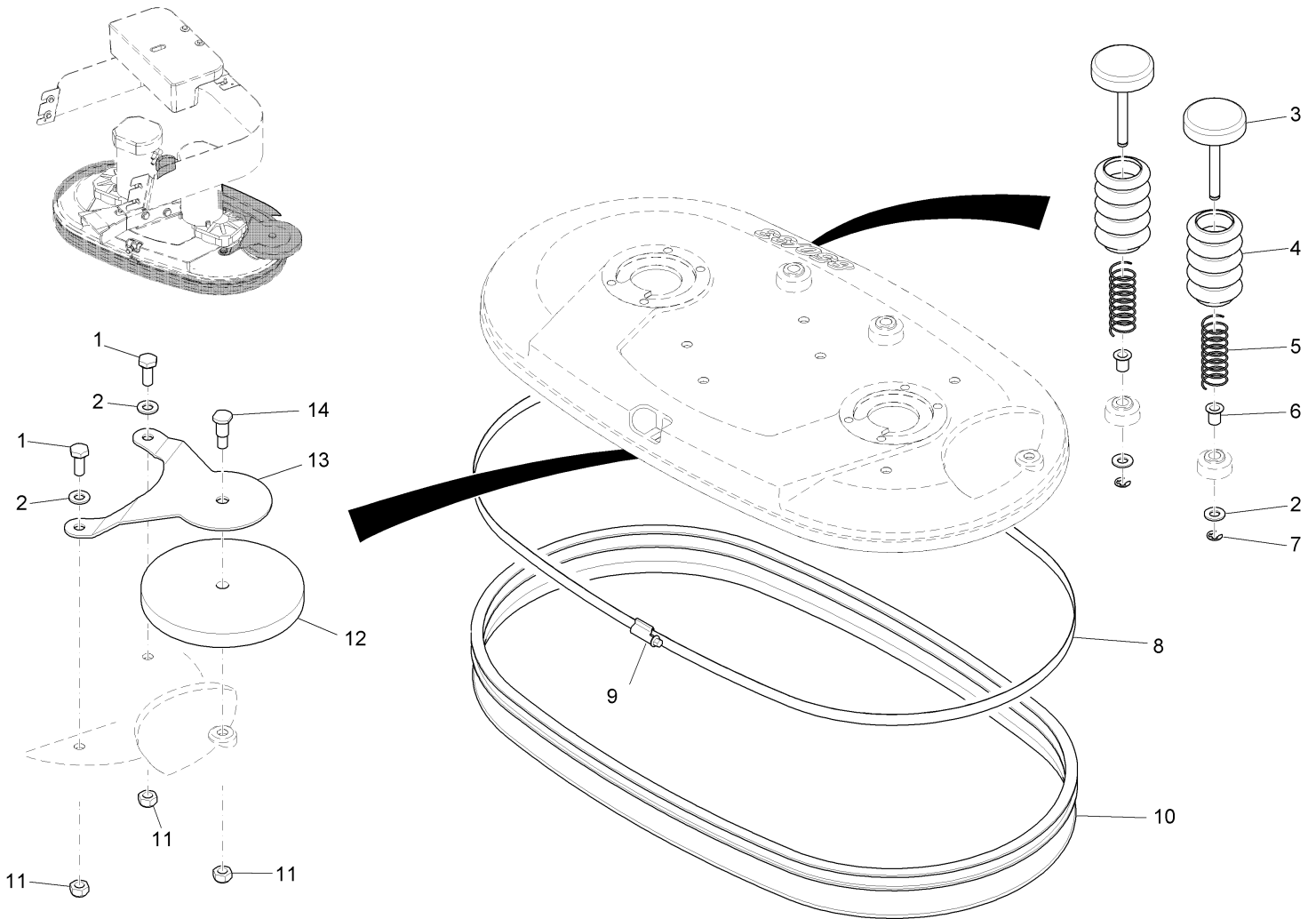
**Brush head DB33 part 1 (97099212-1)**



**Brush head DB33 part 1 (97099212-1)**

| Item | Part number | Description                     | Qty. | Remarks   |
|------|-------------|---------------------------------|------|---|
| 33   | 99784500    | Plate brush 430 SIC PA 6.1 K120 | 2    | Extremely heavy soiling and basic cleaning, bristling SIC PA 6.12 grain 120 green |

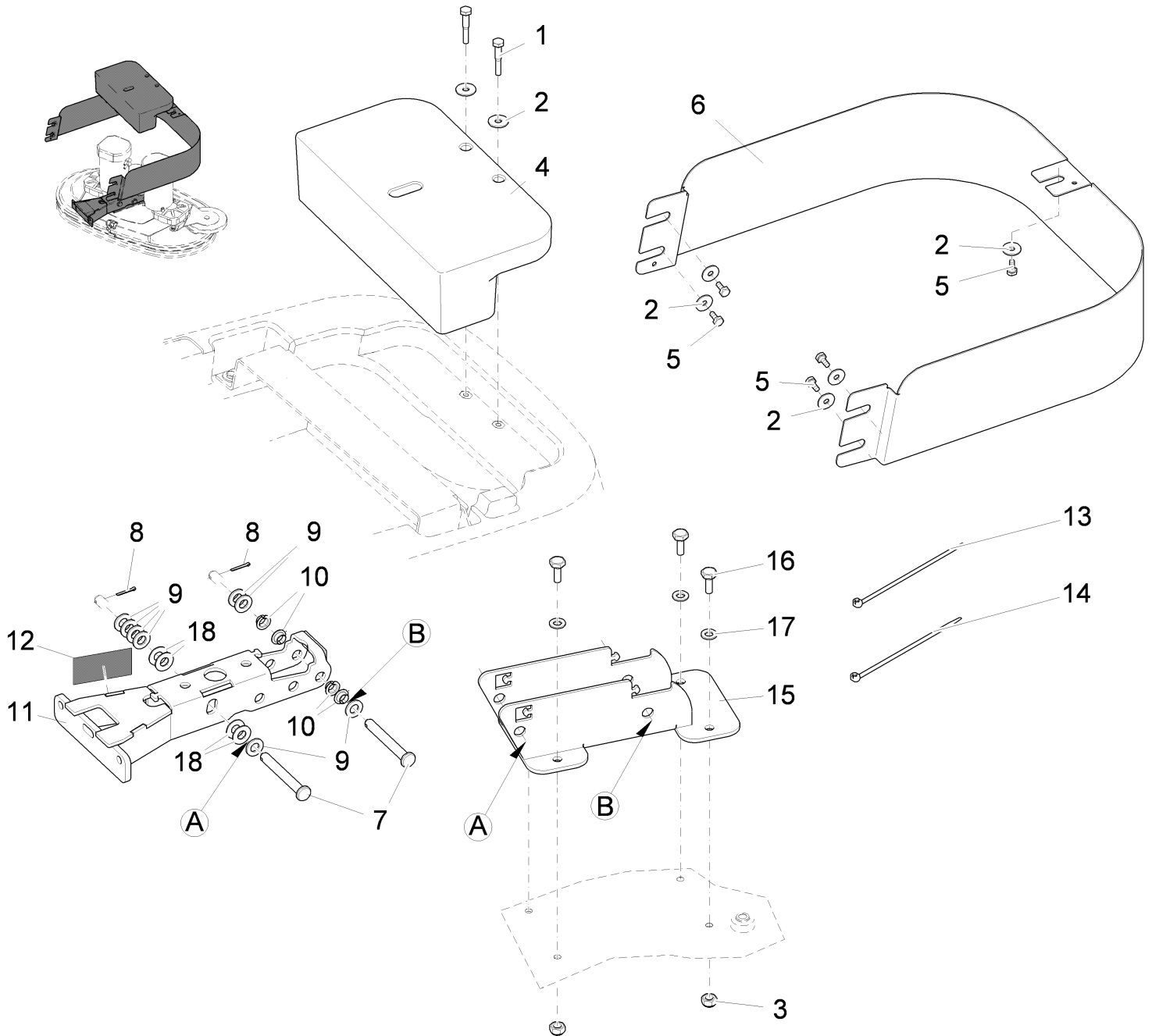
**Brush head DB33 part 2 (97099212-2)**



**Brush head DB33 part 2 (97099212-2)**

| Item | Part number | Description        | Qty.    | Remarks |
|------|-------------|--------------------|---------|---------|
| 1    | 00053310    | Hexagon screw      | 2       |         |
| 2    | 00053760    | Washer             | 2       |         |
| 3    | 01078000    | Ejector            | 2       |         |
| 4    | 01078350    | Bellow             | 2       |         |
| 5    | 01078340    | Compression spring | 2       |         |
| 6    | 01078360    | Slide bearing bush | 2       |         |
| 7    | 00046280    | Thrust washer      | 2       |         |
| 8    | 00712300    | Tension band       | 2440 mm |         |
| 9    | 00901390    | Tension band lock  | 1       |         |
| 10   | 01079970    | Sealing strip      | 1       |         |
| 11   | 00051500    | Hexagon nut        | 3       |         |
| 12   | 01170190    | Deflector roller   | 1       |         |
| 13   | 01170180    | Retainer           | 1       |         |
| 14   | 01077570    | Screw              | 1       |         |

**Brush head DB33 part 3 (97099212-3)**



**Brush head DB33 part 3 (97099212-3)**

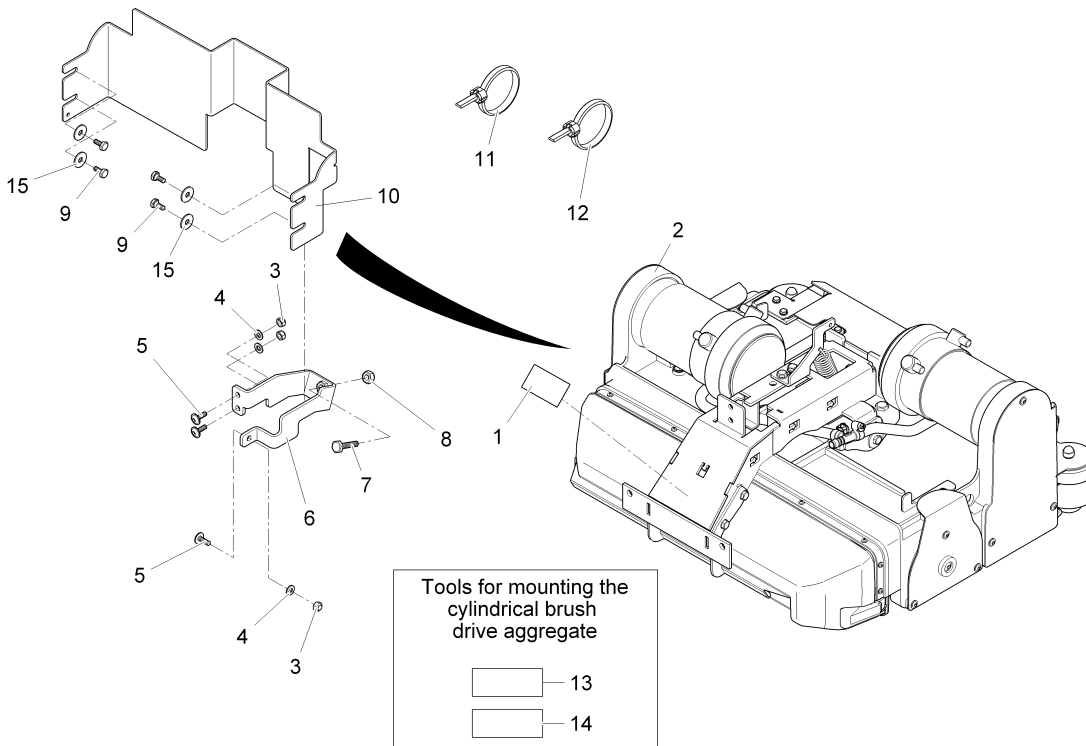
| Item | Part number | Description        | Qty. | Remarks |
|------|-------------|--------------------|------|---------|
| 1    | 00053120    | Hexagon screw      | 2    |         |
| 2    | 00042900    | Washer             | 7    |         |
| 3    | 00051500    | Hexagon nut        | 2    |         |
| 4    | 03008090    | Weight             | 1    |         |
| 5    | 00053080    | Hexagon screw      | 5    |         |
| 6    | 01170210    | Covering           | 1    |         |
| 7    | 00879650    | Bolt               | 2    |         |
| 8    | 00054870    | Cotter pin         | 2    |         |
| 9    | 00053770    | Washer             | 8    |         |
| 10   | 01171330    | Slide bearing bush | 4    |         |
| 11   | 01171350    | Rocker             | 1    |         |
| 12   | 03008790    | Backing film       | 1    |         |
| 13   | 00121150    | Cable tie          | 7    |         |
| 14   | 00967760    | Cable tie          | 2    |         |
| 15   | 01170520    | Retainer           | 1    |         |
| 16   | 00053310    | Hexagon screw      | 2    |         |
| 17   | 00053760    | Washer             | 2    |         |
| 18   | 01102770    | Approach disk      | 4    |         |



**Cylindrical brush drive head 60cm (7576.02)**

| Assembly | Description                       | Page |
|----------|-----------------------------------|------|
| 97099451 | Cylindrical brush drive head 60cm | 90   |

**Cylindrical brush drive head 60cm (97099451)**



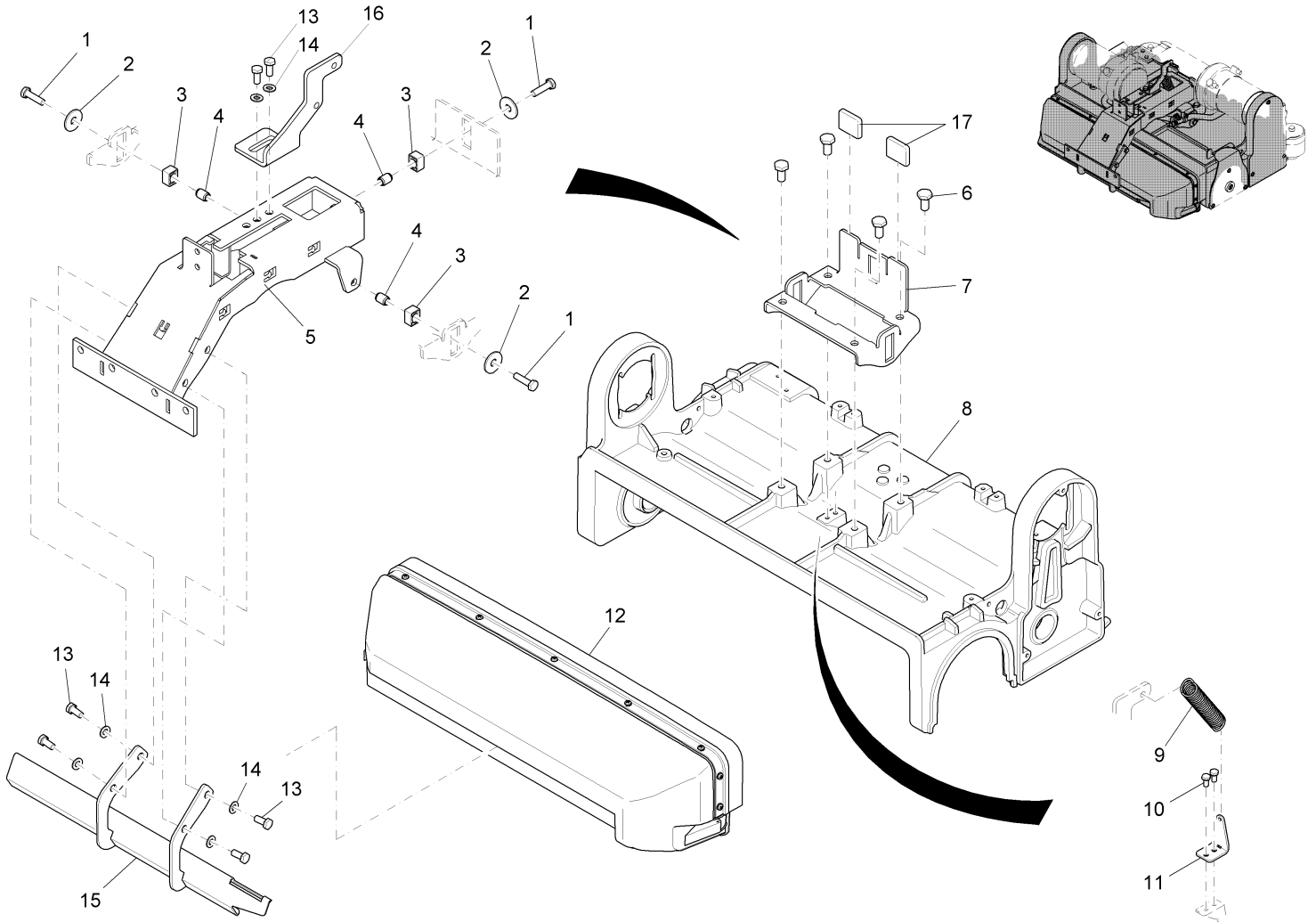
**Cylindrical brush drive head 60cm (97099451)**

| Item | Part number     | Description                              | Qty.        | Remarks                                 |
|------|-----------------|--|-------------|---|
| 1    | 03008790        | Backing film                             | 1           |   |
| 2    | <b>97099444</b> | <b>Cylindrical brush drive head cpl.</b> | <b>Page</b> | <b>92</b>                               |
| 3    | 00051510        | Hexagon nut                              | 2           |   |
| 4    | 00053750        | Washer                                   | 3           |   |
| 5    | 01000670        | Lens flange screw                        | 3           |   |
| 6    | 01170070        | Retainer                                 | 1           |   |
| 7    | 00053170        | Hexagon screw                            | 1           |   |
| 8    | 00051500        | Hexagon nut                              | 1           |   |
| 9    | 00053080        | Hexagon screw                            | 4           |   |
| 10   | 01170080        | Sheet metal                              | 1           |   |
| 11   | 00121150        | Cable tie                                | 6           |   |
| 12   | 00967760        | Cable tie                                | 4           |   |
| 13   | 03006790        | Wiring harness to error reset            | 1           | see Circular letter KUD 26 (2006-12-01) |
| 14   | 01078870        | Adjusting kit BRUSHES AGGREGATE          | 1           | see Circular letter KUD 26 (2006-12-01) |
| 15   | 00042900        | Washer                                   | 4           |   |

**Cylindrical brush drive head cpl. (97099444)**

| <b>Assembly</b> | <b>Description</b>                        | <b>Page</b> |
|-----------------|---|-------------|
| 97099444-1      | Cylindrical brush drive head cpl., part 1 | 93          |
| 97099444-2      | Cylindrical brush drive head cpl., part 2 | 97          |
| 97099444-3      | Cylindrical brush drive head cpl., part 3 | 101         |

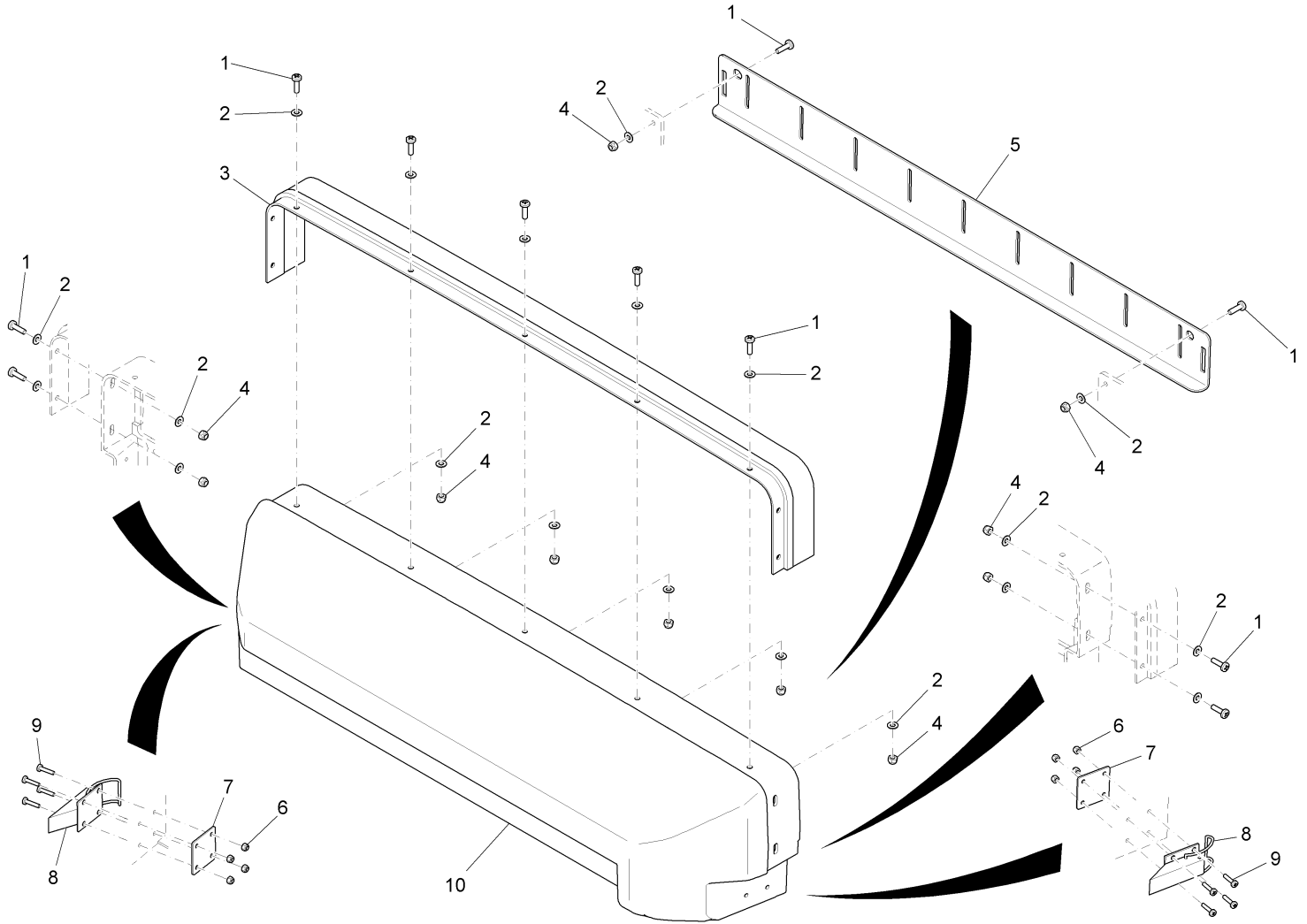
**Cylindrical brush drive head cpl., part 1 (97099444-1)**



**Cylindrical brush drive head cpl., part 1 (97099444-1)**

| Item | Part number     | Description              | Qty.        | Remarks   |
|------|-----------------|--------------------------|-------------|-----------|
| 1    | 01078690        | Hexagon screw            | 3           |           |
| 2    | 01161070        | Washer                   | 3           |           |
| 3    | 01078700        | Slide block              | 3           |           |
| 4    | 01077730        | Bushing                  | 3           |           |
| 5    | 03007970        | Rocker cylindrical brush | 1           |           |
| 6    | 01078720        | Hexagon screw            | 4           |           |
| 7    | 01170090        | Retainer                 | 1           |           |
| 8    | 01078740        | Housing                  | 1           |           |
| 9    | 01072680        | Tension spring           | 1           |           |
| 10   | 01071750        | Hexagon screw            | 2           |           |
| 11   | 01077890        | Angle                    | 1           |           |
| 12   | <b>97087191</b> | <b>Dirt hopper cpl.</b>  | <b>Page</b> | <b>95</b> |
| 13   | 00553690        | Hex.bolt                 | 6           |           |
| 14   | 00053750        | Washer                   | 6           |           |
| 15   | 01078750        | Guide bar                | 1           |           |
| 16   | 01170100        | Spring holder            | 1           |           |
| 17   | 01074240        | Cap                      | 2           |           |

Dirt hopper cpl. (97087191)

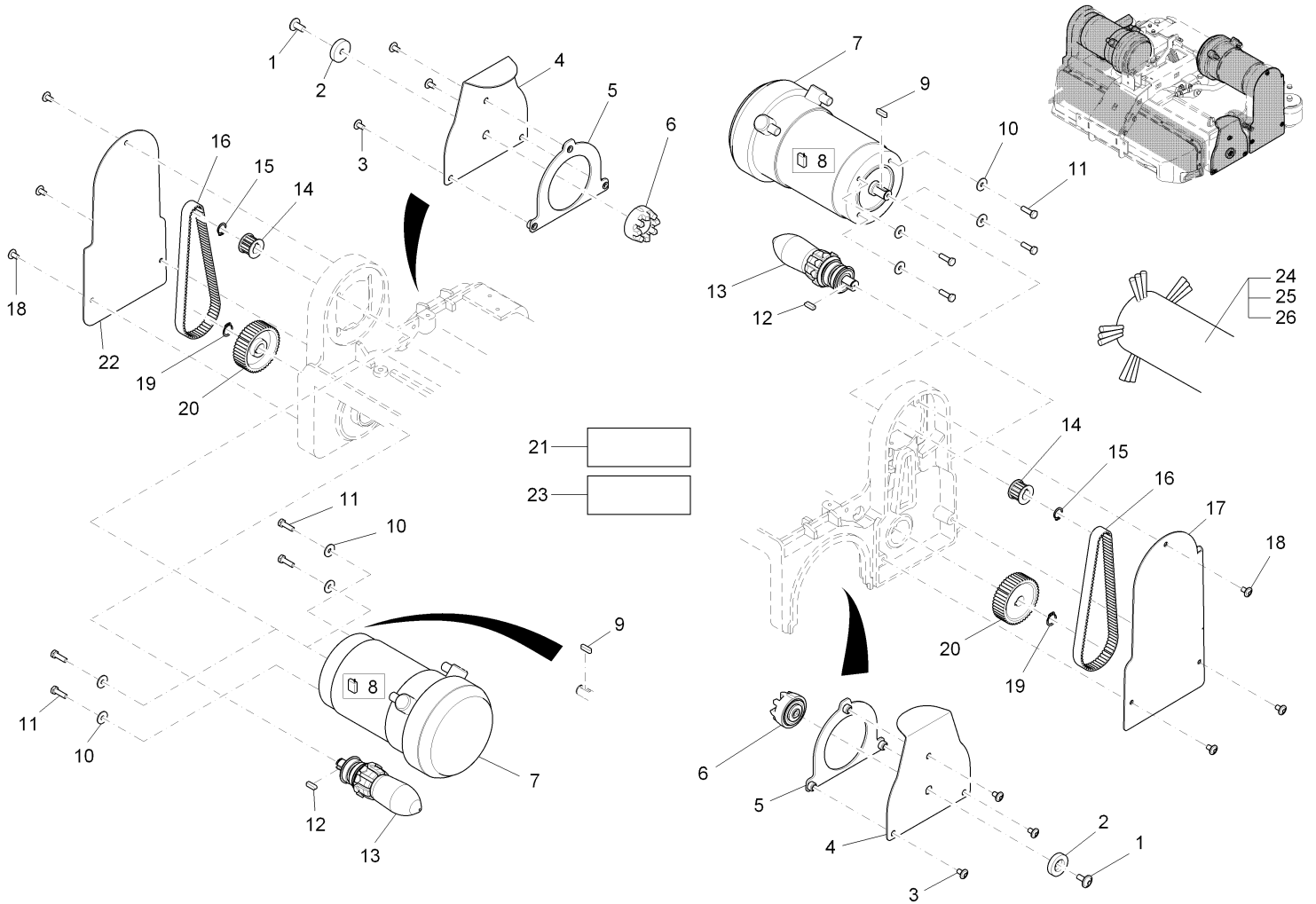


**Dirt hopper cpl. (97087191)**

| Item | Part number | Description          | Qty. | Remarks |
|------|-------------|----------------------|------|---------|
| 1    | 01072260    | Fillister-head screw | 11   |         |
| 2    | 00874720    | Washer               | 20   |         |
| 3    | 01077690    | Broom rail           | 1    |         |
| 4    | 00970190    | Hexagon nut          | 11   |         |
| 5    | 01078830    | Sheet metal apron    | 1    |         |
| 6    | 01072270    | Hex. Nut             | 8    |         |
| 7    | 01076250    | Plate                | 2    |         |
| 8    | 01072220    | Lock                 | 2    |         |
| 9    | 01072230    | Fillister-head screw | 8    |         |
| 10   | 01078840    | Dirt container       | 1    |         |



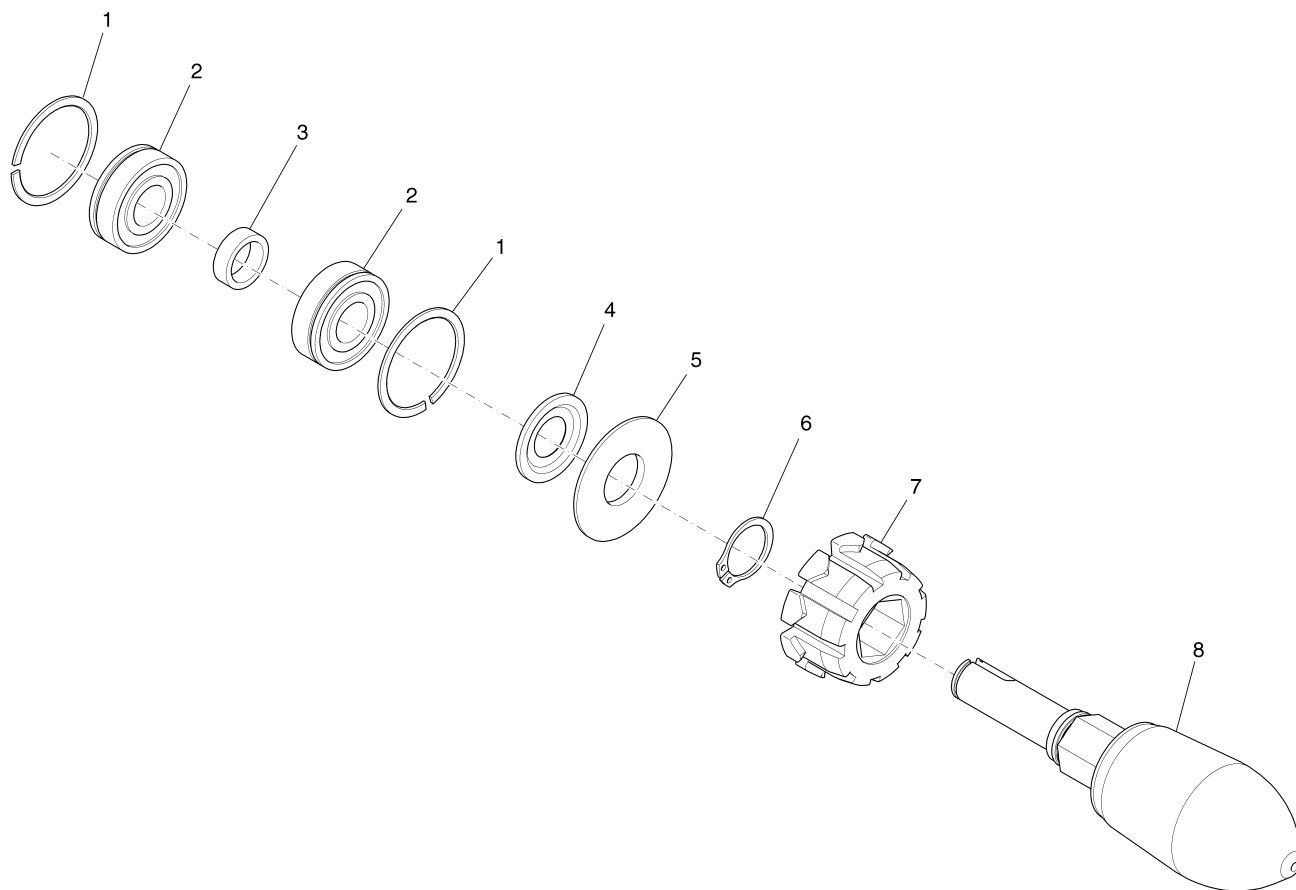
**Cylindrical brush drive head cpl., part 2 (97099444-2)**



**Cylindrical brush drive head cpl., part 2 (97099444-2)**

| Item | Part number     | Description                           | Qty.        | Remarks   |
|------|-----------------|---------------------------------------|-------------|---|
| 1    | 01074320        | Lens flange screw                     | 2           |   |
| 2    | 01074330        | Washer                                | 2           |   |
| 3    | 01072520        | Lens flange screw                     | 6           |   |
| 4    | 01078760        | Side cover                            | 2           |   |
| 5    | 01078770        | Centering bend                        | 2           |   |
| 6    | 01074340        | Bearing                               | 2           |   |
| 7    | 01077190        | Motor                                 | 2           |   |
| 8    | 00553060        | Set (4pc.) carbon brush               | 4           |   |
| 9    | 00022430        | Feather key                           | 2           |   |
| 10   | 00135120        | Washer                                | 8           |   |
| 11   | 00053020        | Hexagon screw                         | 8           |   |
| 12   | 01072580        | Feather key                           | 2           |   |
| 13   | <b>01072560</b> | <b>Carrier, cpl.</b>                  | <b>Page</b> | <b>99</b>   |
| 14   | 01072460        | Toothed belt pulley                   | 2           |   |
| 15   | 00022440        | Retaining ring                        | 2           |   |
| 16   | 01072540        | Toothed belt                          | 2           |   |
| 17   | 01170510        | Sheet metal R.H.                      | 1           |   |
| 18   | 01072520        | Lens flange screw                     | 6           |   |
| 19   | 00022340        | Retaining ring                        | 2           |   |
| 20   | 01072570        | Toothed belt pulley                   | 2           |   |
| 21   | 03007980        | Wiring harness W13                    | 1           |   |
| 22   | 01078790        | Sheet metal L.H.                      | 1           |   |
| 23   | 03007990        | Wiring harness W14                    | 1           |   |
| 24   | 99702100        | Brush set cyl. brush PA 6-0,7         | 1           | Degree of soiling light to medium, PA 6 - 0,7                                 |
| 25   | 99702200        | Brush set cyl. brush PA 6.12 Korn 500 | 1           | Degree of soiling medium to heavy, structured flooring, SIC PA 6. 12, Kom 500 |
| 26   | 99702300        | Brush set cyl. brush PA 6.12 Korn 180 | 1           | Very heavy soiling and basic cleaning, SIC PA 6. 12, Kom 180                  |

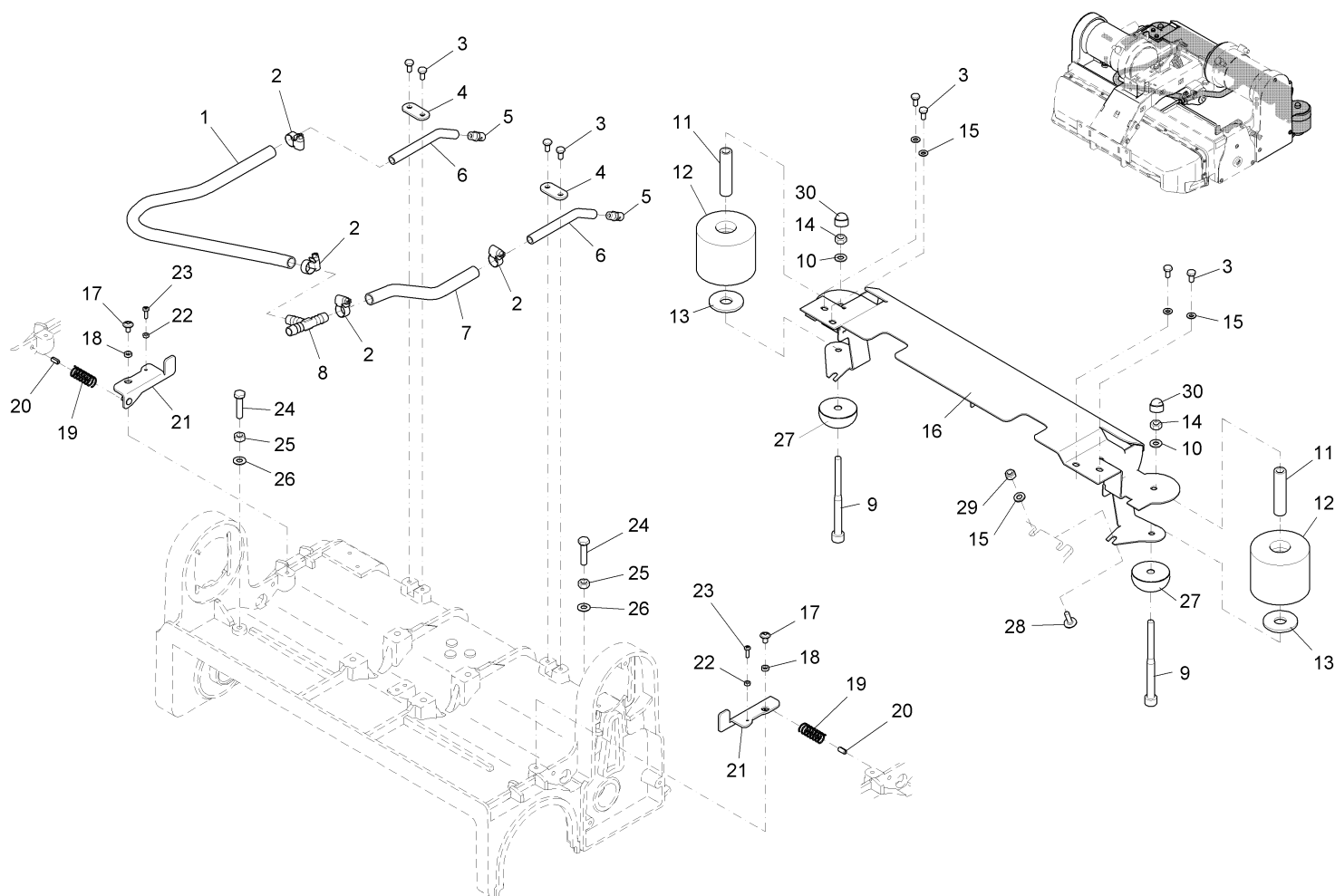
Carrier, cpl. (01072560)



**Carrier, cpl. (01072560)**

| Item | Part number | Description          | Qty. | Remarks |
|------|-------------|----------------------|------|---------|
| 1    | 01078820    | Circlip              | 2    |         |
| 2    | 01076560    | Grooved ball bearing | 2    |         |
| 3    | 01077520    | Bushing              | 1    |         |
| 4    | 00124220    | Ring                 | 1    |         |
| 5    | 01077550    | Bushing              | 1    |         |
| 6    | 00054310    | Retaining ring       | 1    |         |
| 7    | 01077540    | Bushing              | 1    |         |
| 8    | 01077530    | Retainer             | 1    |         |

Cylindrical brush drive head cpl., part 3 (97099444-3)



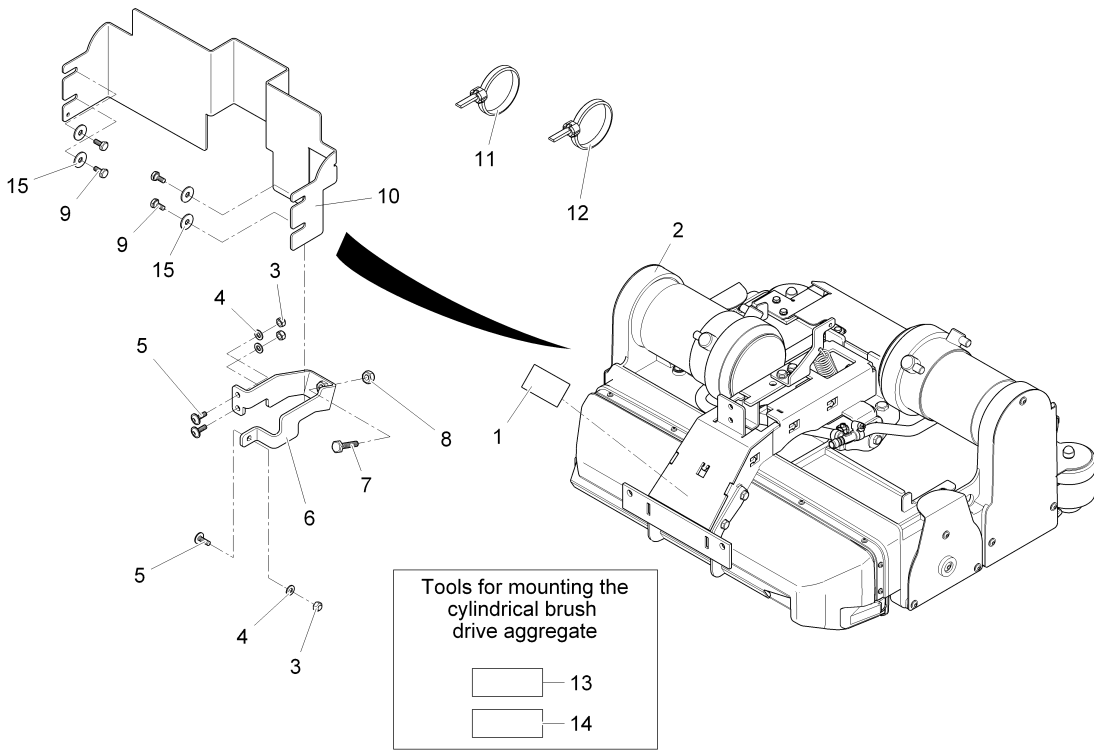
**Cylindrical brush drive head cpl., part 3 (97099444-3)**

| Item | Part number | Description            | Qty.  | Remarks |
|------|-------------|------------------------|-------|---------|
| 1    | 00171030    | Hose                   | 520mm |         |
| 2    | 00074300    | Hose clamp             | 4     |         |
| 3    | 01071750    | Hexagon screw          | 8     |         |
| 4    | 01072500    | Clamping sheet metal   | 2     |         |
| 5    | 01072640    | Jet                    | 2     |         |
| 6    | 01072630    | Pipe                   | 2     |         |
| 7    | 00171030    | Hose                   | 240mm |         |
| 8    | 00976160    | T-piece                | 1     |         |
| 9    | 01170110    | Socket head screw      | 2     |         |
| 10   | 00053750    | Washer                 | 4     |         |
| 11   | 01078800    | Pipe                   | 2     |         |
| 12   | 00976590    | Roller                 | 2     |         |
| 13   | 00132610    | Washer                 | 2     |         |
| 14   | 00051510    | Hexagon nut            | 2     |         |
| 15   | 00102150    | Washer                 | 6     |         |
| 16   | 01078810    | Cross beam             | 1     |         |
| 17   | 01072520    | Lens flange screw      | 2     |         |
| 18   | 01073360    | Bushing                | 2     |         |
| 19   | 00550870    | Cyl.compression spring | 2     |         |
| 20   | 00107140    | Dowel pin              | 2     |         |
| 21   | 01072620    | Lever, cpl.            | 2     |         |
| 22   | 01072510    | Hex. Nut               | 2     |         |
| 23   | 01072260    | Fillister-head screw   | 2     |         |
| 24   | 00523810    | Hex.bolt               | 2     |         |
| 25   | 00971400    | Hexagon nut            | 2     |         |
| 26   | 00101550    | Washer                 | 2     |         |
| 27   | 01170120    | Stop                   | 2     |         |
| 28   | 01015340    | Lens flange screw      | 2     |         |
| 29   | 00051520    | Hexagon nut            | 2     |         |
| 30   | 00131610    | Lens cap               | 2     |         |

**Cylindrical brush drive head 70cm (7036.00)**

| Assembly | Description                      | Page |
|----------|----------------------------------|------|
| 97099576 | Cylindrical brush drive head 700 | 104  |

**Cylindrical brush drive head 700 (97099576)**





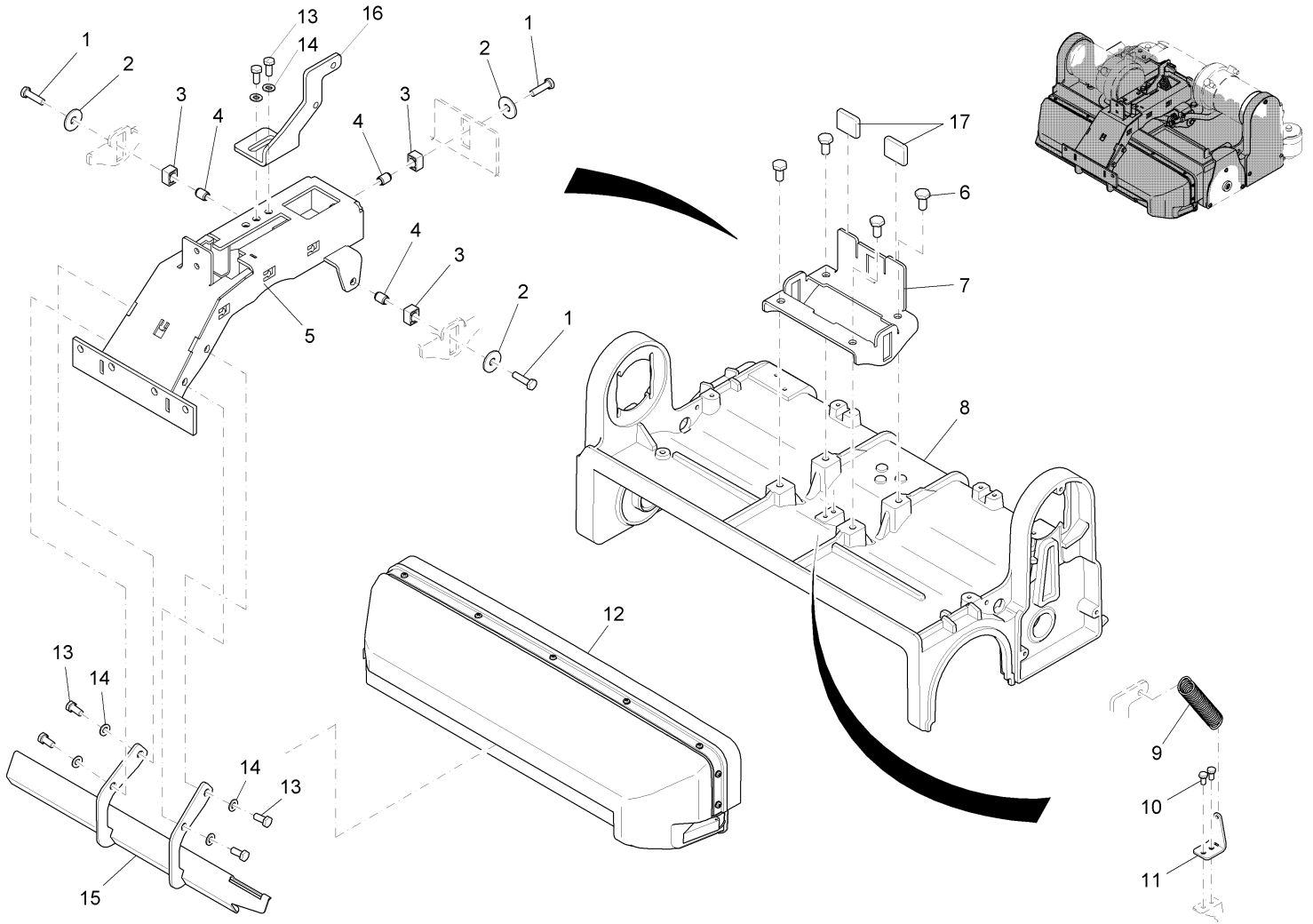
**Cylindrical brush drive head 700 (97099576)**

| Item | Part number     | Description                              | Qty.        | Remarks                                 |
|------|-----------------|--|-------------|---|
| 1    | 03008790        | Backing film                             | 1           |   |
| 2    | <b>97090021</b> | <b>Cylindrical brush drive head cpl.</b> | <b>Page</b> | <b>106</b>                              |
| 3    | 00051510        | Hexagon nut                              | 2           |   |
| 4    | 00053750        | Washer                                   | 3           |   |
| 5    | 01000670        | Lens flange screw                        | 3           |   |
| 6    | 01170070        | Retainer                                 | 1           |   |
| 7    | 00053170        | Hexagon screw                            | 1           |   |
| 8    | 00051500        | Hexagon nut                              | 1           |   |
| 9    | 00053080        | Hexagon screw                            | 4           |   |
| 10   | 01170080        | Sheet metal                              | 1           |   |
| 11   | 00121150        | Cable tie                                | 6           |   |
| 12   | 00967760        | Cable tie                                | 4           |   |
| 13   | 03006790        | Wiring harness to error reset            | 1           | see Circular letter KUD 26 (2006-12-01) |
| 14   | 01078870        | Adjusting kit BRUSHES AGGREGATE          | 1           | see Circular letter KUD 26 (2006-12-01) |
| 15   | 00042900        | Washer                                   | 4           |   |

**Cylindrical brush drive head cpl. (97090021)**

| <b>Assembly</b> | <b>Description</b>                        | <b>Page</b> |
|-----------------|---|-------------|
| 97090021-1      | Cylindrical brush drive head cpl., part 1 | 107         |
| 97090021-2      | Cylindrical brush drive head cpl., part 2 | 111         |
| 97090021-3      | Cylindrical brush drive head cpl., part 3 | 115         |

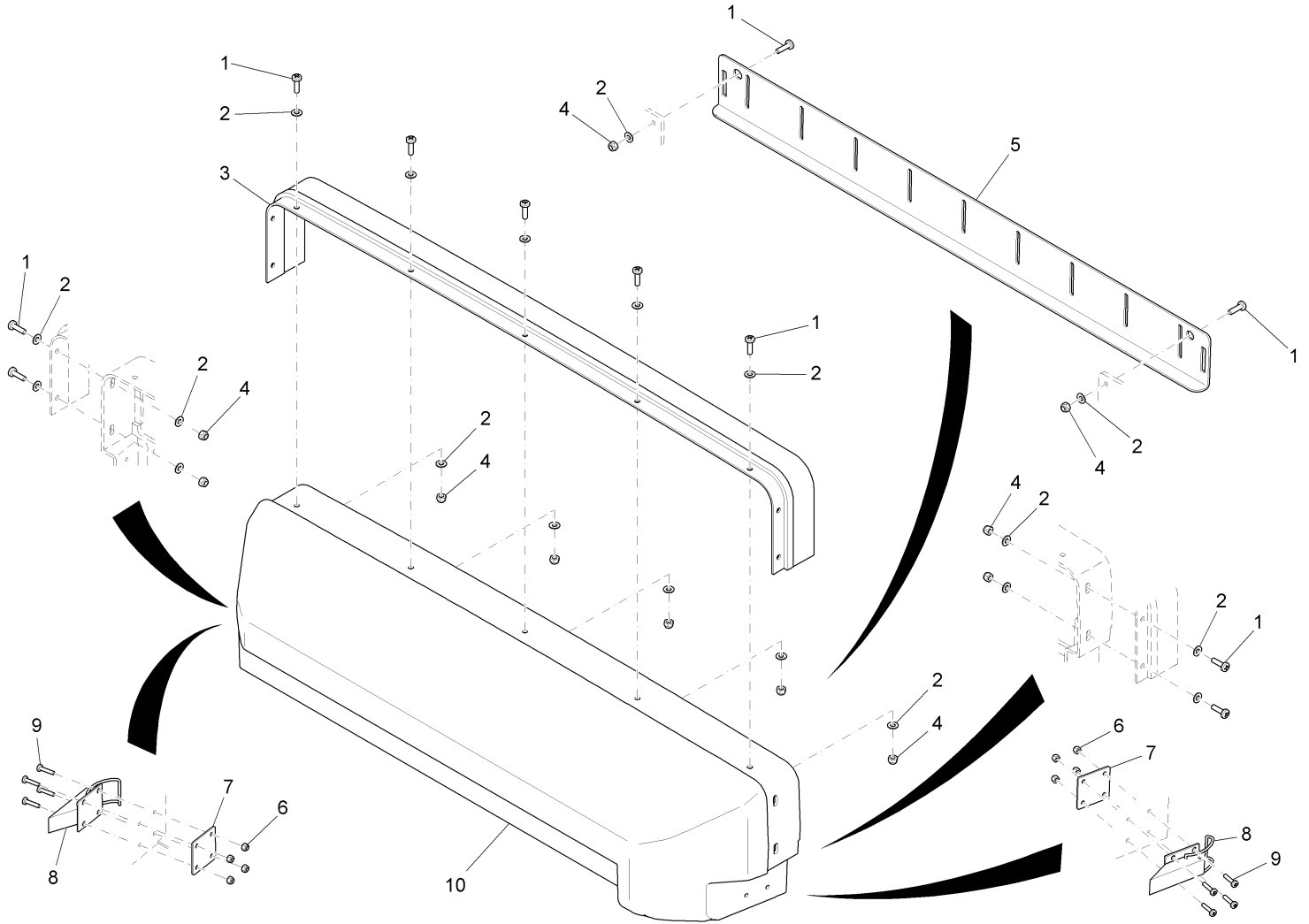
**Cylindrical brush drive head cpl., part 1 (97090021-1)**



**Cylindrical brush drive head cpl., part 1 (97090021-1)**

| Item | Part number     | Description              | Qty.        | Remarks    |
|------|-----------------|--------------------------|-------------|------------|
| 1    | 01078690        | Hexagon screw            | 3           |            |
| 2    | 01161070        | Washer                   | 3           |            |
| 3    | 01078700        | Slide block              | 3           |            |
| 4    | 01077730        | Bushing                  | 3           |            |
| 5    | 03007970        | Rocker cylindrical brush | 1           |            |
| 6    | 01078720        | Hexagon screw            | 4           |            |
| 7    | 01170090        | Retainer                 | 1           |            |
| 8    | 01170780        | Housing                  | 1           |            |
| 9    | 01072680        | Tension spring           | 1           |            |
| 10   | 01071750        | Hexagon screw            | 2           |            |
| 11   | 01077890        | Angle                    | 1           |            |
| 12   | <b>03011040</b> | <b>Dirt container</b>    | <b>Page</b> | <b>109</b> |
| 13   | 00553690        | Hex.bolt                 | 6           |            |
| 14   | 00053750        | Washer                   | 6           |            |
| 15   | 01170540        | Guide bar                | 1           |            |
| 16   | 01170100        | Spring holder            | 1           |            |
| 17   | 01074240        | Cap                      | 2           |            |

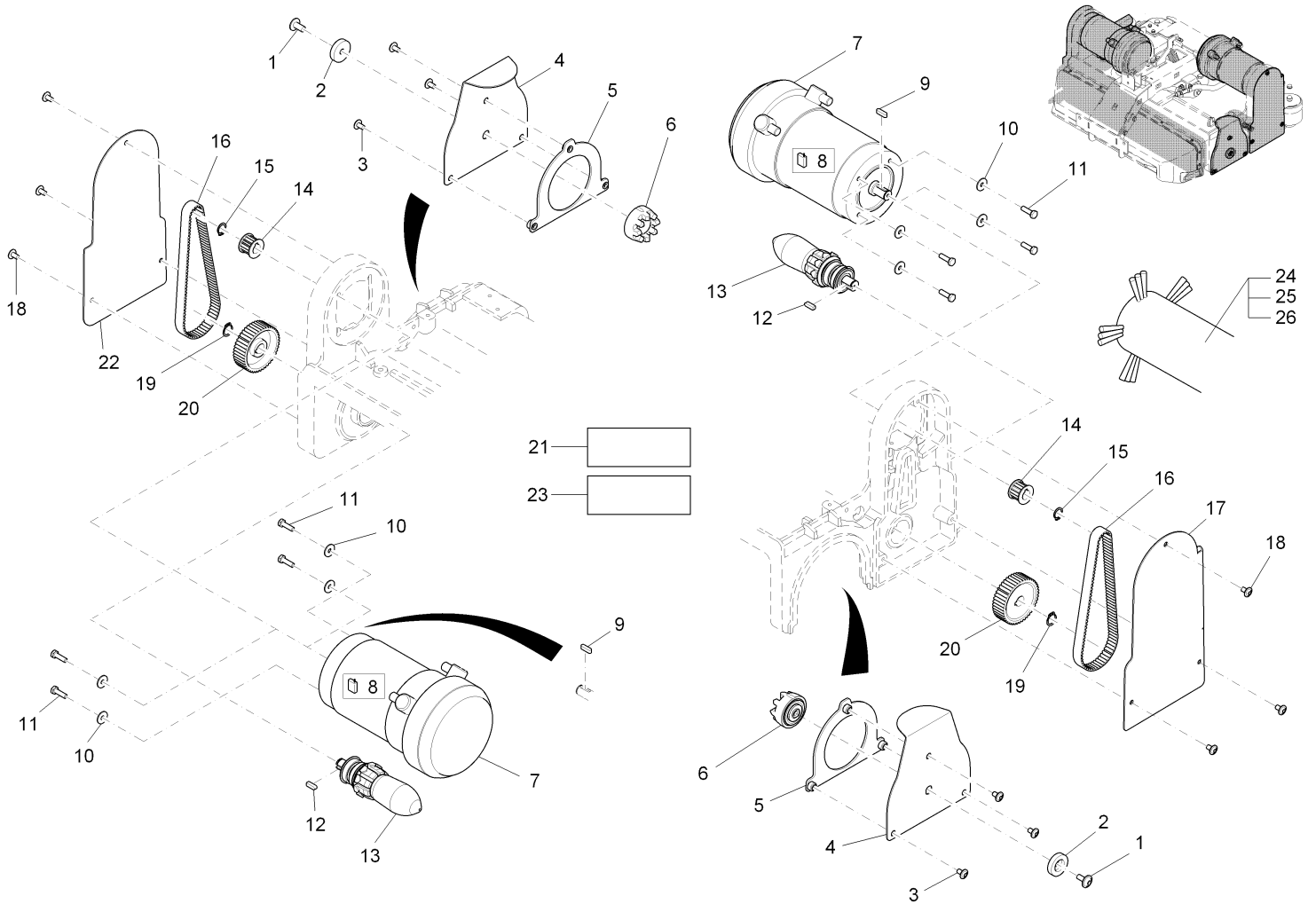
**Dirt container (03011040)**



**Dirt container (03011040)**

| Item | Part number | Description          | Qty. | Remarks |
|------|-------------|----------------------|------|---------|
| 1    | 01072260    | Fillister-head screw | 11   |         |
| 2    | 00874720    | Washer               | 20   |         |
| 3    | 01072240    | Brush rails          | 1    |         |
| 4    | 00970190    | Hexagon nut          | 11   |         |
| 5    | 01072250    | Panel apron          | 1    |         |
| 6    | 01072270    | Hex. Nut             | 8    |         |
| 7    | 01076250    | Plate                | 2    |         |
| 8    | 01072220    | Lock                 | 2    |         |
| 9    | 01072230    | Fillister-head screw | 8    |         |
| 10   | 01072210    | Dirt hopper, cpl.    | 1    |         |

**Cylindrical brush drive head cpl., part 2 (97090021-2)**

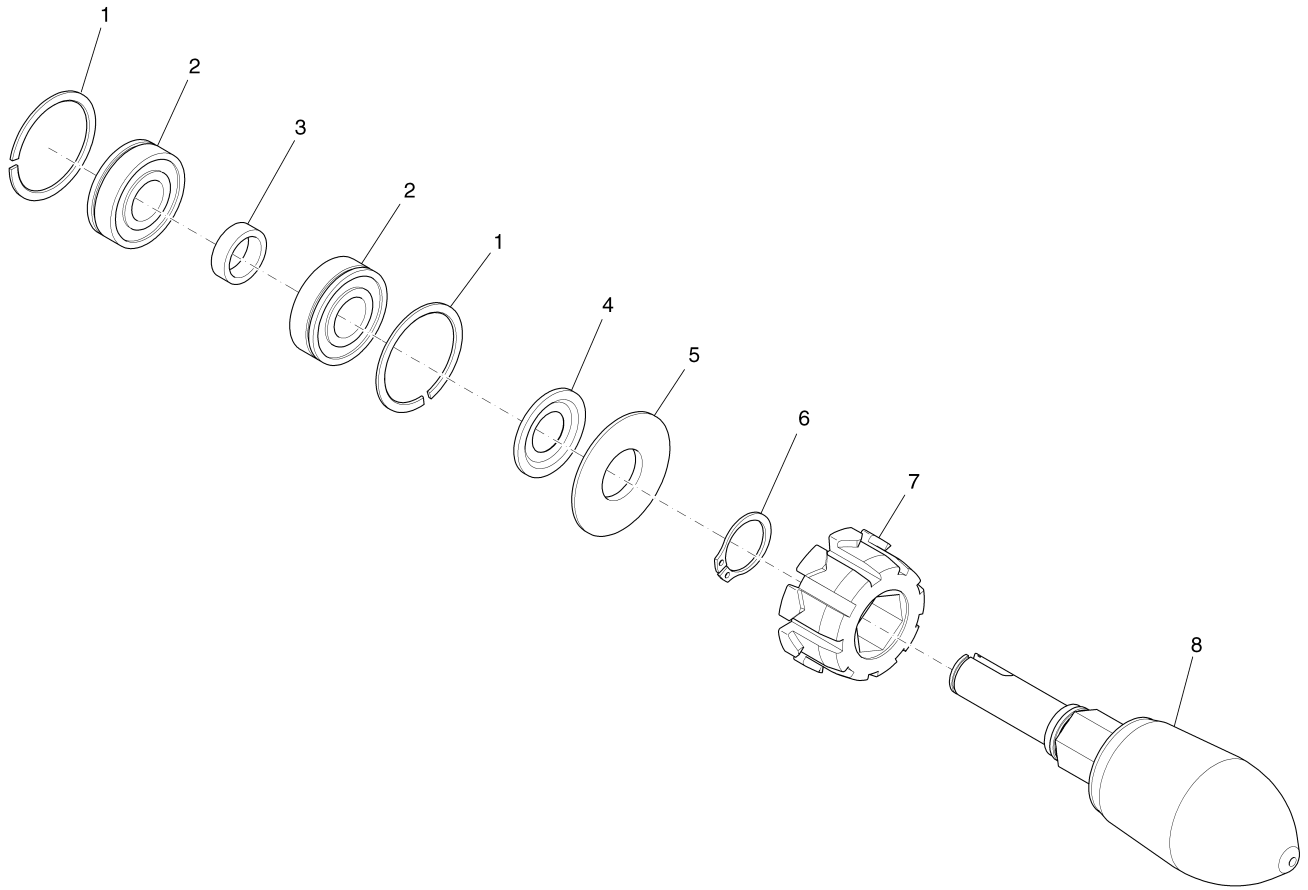


**Cylindrical brush drive head cpl., part 2 (97090021-2)**

| Item | Part number     | Description                              | Qty.        | Remarks   |
|------|-----------------|--|-------------|---|
| 1    | 01074320        | Lens flange screw                        | 2           |   |
| 2    | 01074330        | Washer                                   | 2           |   |
| 3    | 01072520        | Lens flange screw                        | 6           |   |
| 4    | 01078760        | Side cover                               | 2           |   |
| 5    | 01078770        | Centering bend                           | 2           |   |
| 6    | 01074340        | Bearing                                  | 2           |   |
| 7    | 01072450        | Motor                                    | 2           |   |
| 8    | 00553060        | Set (4pc.) carbon brush                  | 4           |   |
| 9    | 00022430        | Feather key                              | 2           |   |
| 10   | 00135120        | Washer                                   | 8           |   |
| 11   | 00053020        | Hexagon screw                            | 8           |   |
| 12   | 01072580        | Feather key                              | 2           |   |
| 13   | <b>01072560</b> | <b>Carrier, cpl.</b>                     | <b>Page</b> | <b>113</b>  |
| 14   | 01072460        | Toothed belt pulley                      | 2           |   |
| 15   | 00022440        | Retaining ring                           | 2           |   |
| 16   | 01072540        | Toothed belt                             | 2           |   |
| 17   | 01170510        | Sheet metal R.H.                         | 1           |   |
| 18   | 01072520        | Lens flange screw                        | 6           |   |
| 19   | 00022340        | Retaining ring                           | 2           |   |
| 20   | 01072570        | Toothed belt pulley                      | 2           |   |
| 21   | 03007980        | Wiring harness W13                       | 1           |   |
| 22   | 01078790        | Sheet metal L.H.                         | 1           |   |
| 23   | 03007990        | Wiring harness W14                       | 1           |   |
| 24   | 99709600        | Set cyl. brushes 150 PA 0,7              | 1           | Degree of soiling light to medium, PA 6 - 0,7                                 |
| 25   | 99709900        | Set cyl brush                            | 1           | Degree of soiling medium to heavy, structured flooring, SIC PA 6. 12, Kom 500 |
| 26   | 99709400        | Set of cylindrical brushes 150 Sic PA 6. | 1           | Very heavy soiling and basic cleaning, SIC PA 6. 12, Kom 180                  |



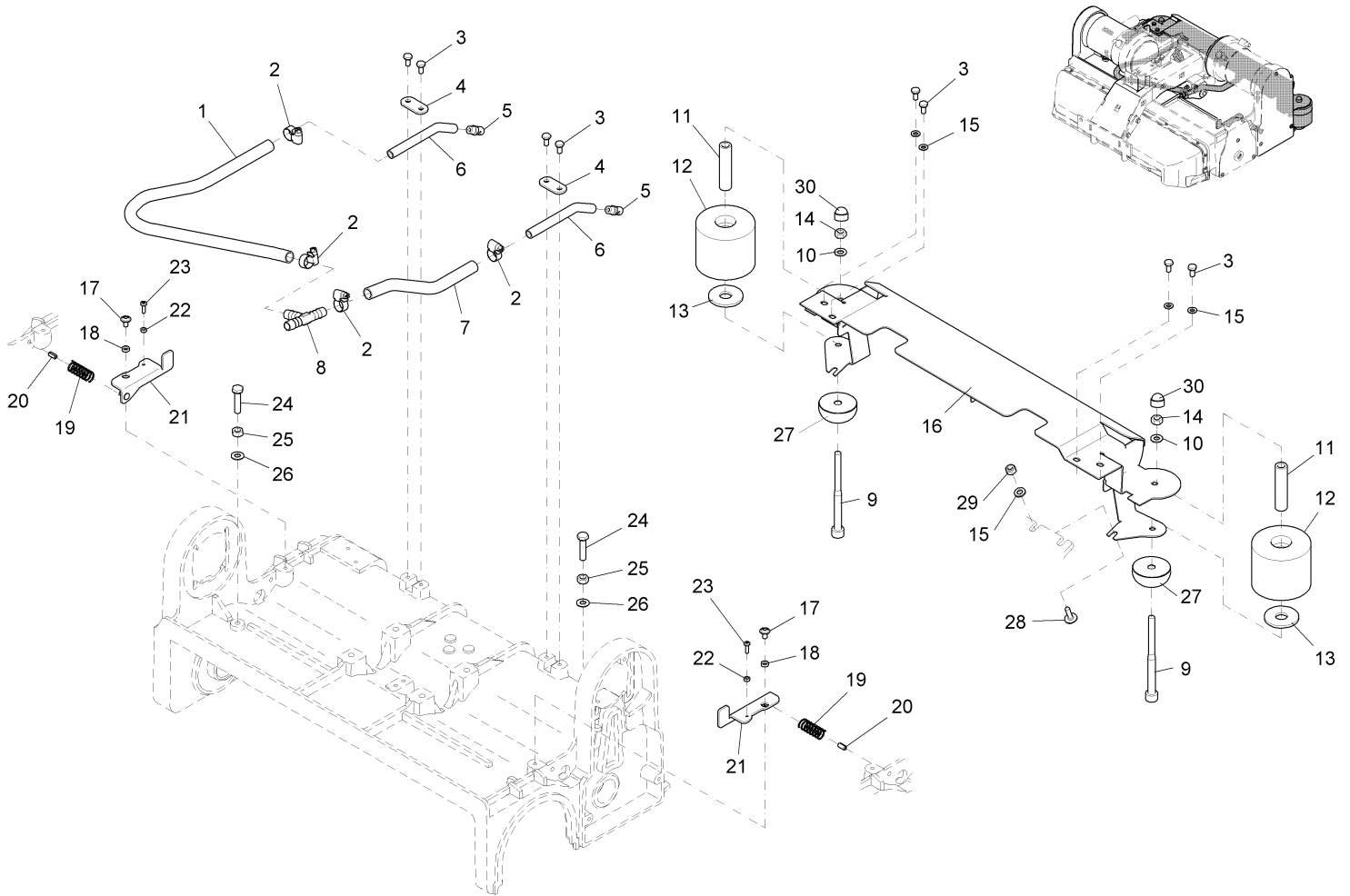
Carrier, cpl. (01072560)



**Carrier, cpl. (01072560)**

| Item | Part number | Description          | Qty. | Remarks |
|------|-------------|----------------------|------|---------|
| 1    | 01078820    | Circlip              | 2    |         |
| 2    | 01076560    | Grooved ball bearing | 2    |         |
| 3    | 01077520    | Bushing              | 1    |         |
| 4    | 00124220    | Ring                 | 1    |         |
| 5    | 01077550    | Bushing              | 1    |         |
| 6    | 00054310    | Retaining ring       | 1    |         |
| 7    | 01077540    | Bushing              | 1    |         |
| 8    | 01077530    | Retainer             | 1    |         |

Cylindrical brush drive head cpl., part 3 (97090021-3)



**Cylindrical brush drive head cpl., part 3 (97090021-3)**

| Item | Part number | Description            | Qty.  | Remarks |
|------|-------------|------------------------|-------|---------|
| 1    | 00171030    | Hose                   | 520mm |         |
| 2    | 00074300    | Hose clamp             | 4     |         |
| 3    | 01071750    | Hexagon screw          | 8     |         |
| 4    | 01072500    | Clamping sheet metal   | 2     |         |
| 5    | 01072640    | Jet                    | 2     |         |
| 6    | 01072630    | Pipe                   | 2     |         |
| 7    | 00171030    | Hose                   | 240mm |         |
| 8    | 00976160    | T-piece                | 1     |         |
| 9    | 01170110    | Socket head screw      | 2     |         |
| 10   | 00053750    | Washer                 | 4     |         |
| 11   | 01078800    | Pipe                   | 2     |         |
| 12   | 00976590    | Roller                 | 2     |         |
| 13   | 00132610    | Washer                 | 2     |         |
| 14   | 00051510    | Hexagon nut            | 2     |         |
| 15   | 00102150    | Washer                 | 6     |         |
| 16   | 01170600    | Cross beam             | 1     |         |
| 17   | 01072520    | Lens flange screw      | 2     |         |
| 18   | 01073360    | Bushing                | 2     |         |
| 19   | 00550870    | Cyl.compression spring | 2     |         |
| 20   | 00107140    | Dowel pin              | 2     |         |
| 21   | 01072620    | Lever, cpl.            | 2     |         |
| 22   | 01072510    | Hex. Nut               | 2     |         |
| 23   | 01072260    | Fillister-head screw   | 2     |         |
| 24   | 00523810    | Hex.bolt               | 2     |         |
| 25   | 00971400    | Hexagon nut            | 2     |         |
| 26   | 00101550    | Washer                 | 2     |         |
| 27   | 01170120    | Stop                   | 2     |         |
| 28   | 01015340    | Lens flange screw      | 2     |         |
| 29   | 00051520    | Hexagon nut            | 2     |         |
| 30   | 00131610    | Lens cap               | 2     |         |

## Warranty Information

Revision F  
Effective November 1, 2008  
PowerBoss Made Simple Industrial Limited Warranty

Minuteman International owner of PowerBoss warrants to the original purchaser/user that the product is free from defects in workmanship and materials under normal use. PowerBoss will, at its option, repair or replace without charge, parts that fail under normal use and service when operated and maintained in accordance with the applicable operation and instruction manuals. All warranty claims must be submitted through and approved by factory authorized repair stations.

This warranty does not apply to normal wear, or to items whose life is dependent on their use and care. Parts not manufactured by PowerBoss are covered by and subject to the warranties and/or guarantees of their manufacturers. Please contact Minuteman International for procedures in warranty claims against these manufacturers.

**Special warning to purchaser** -- Use of replacement parts not manufactured by PowerBoss or its designated licensees, will void all warranties expressed or implied. A potential health hazard exists without original equipment replacement.

All warranted items become the sole property of Minuteman International or PowerBoss or its original manufacturer, whichever the case may be.

PowerBoss disclaims any implied warranty, including the warranty of merchantability and the warranty of fitness for a particular purpose. PowerBoss assumes no responsibility for any special, incidental or consequential damages.

This limited warranty is applicable only in the U.S.A. and Canada, and is extended only to the original user/purchaser of this product. Customers outside the U.S.A. and Canada should contact their local distributor for export warranty policies. PowerBoss is not responsible for costs or repairs performed by persons other than those specifically authorized by PowerBoss. This warranty does not apply to damage from transportation, alterations by unauthorized persons, misuse or abuse of the equipment, use of non-compatible chemicals, or damage to property, or loss of income due to malfunctions of the product. If a difficulty develops with this machine, you should contact the dealer from whom it was purchased.

This warranty gives you specific legal rights, and you may have other rights, which vary from state to state. Some states do not allow the exclusion or limitation of special, incidental or consequential damages, or limitations on how long an implied warranty lasts, so the above exclusions and limitations may not apply to you.

|                      | Travel*     | Labor      | Parts                | Engine                 | Extended Warranty                             | Costs |
|----------------------|-------------|------------|----------------------|------------------------|---|-------|
| <b>Walk behinds</b>  |             |            |                      |                        |   |       |
| Battery sweepers     | Ninety days | One year   | One year             | N/A                    | 2 years Parts + Labor (or 2000 Hours)         | 2%    |
| IC sweepers          | Ninety days | One year   | One year             | Through manufacturer   | 2 years Parts + Labor (or 2000 Hours)         | 2%    |
| Battery scrubbers    | Ninety days | Two years  | Three years          | N/A                    | 3 Years Parts + Labor (or 3000 Hours)         | 2%    |
|                      |             |            |                      |                        |   |       |
| <b>Riders</b>        |             |            |                      |                        |   |       |
| Battery scrubbers    | Ninety days | Two years  | Three years/2000 hrs | N/A                    | 3 Years Parts + Labor (or 3000 Hours)         | 2%    |
| IC sweeper/scrubbers | Ninety days | Six months | Two years/2000 hrs   | Two years/3000 hrs**   | 2 years Parts + Labor (or 2000 Hours)         | 3%    |
| IC sweepers          | Ninety days | Six months | Four years/3000 hrs  | Five years/3000 hrs**  | 4 Years Parts + 2 Years Labor (or 4000 Hours) | 3%    |
|                      |             |            |                      |                        |   |       |
| <b>Exceptions</b>    |             |            |                      |                        |   |       |
| Apex series sweeper  | Ninety days | One year   | One year/1000 hrs    | One year/1000 hrs**    | 2 years Parts + Labor (or 2000 Hours)         | 3%    |
| 6X sweeper           | Ninety days | Six months | Two years/2000 hrs   | Two years/2000 hours** | 2 years Parts + Labor (or 2000 Hours)         | 3%    |

**Tank Bladders** Eight years/ no additional labor  
**Polypropylene plastic tanks** Ten years/ no additional labor  
**Batteries** 0-3 months full replacement, 4-12 prorated credit  
**Chargers** One-year replacement  
**Replacement parts** Ninety days

\*Two-hour cap

\*\*Through engine manufacturer. See section 3 of warranty manual for engine warranty exceptions

\*\*\* Based upon dealer's certification status

Extended Warranty MUST be signed up within 30 days of delivery to End User (Dealer has 1Year from Receiving Machine to Sign up extended Warranty)

Extended Warranty Cost is based on Invoice Price multiplied by the Percentage listed in the Extended Warranty Column

*All above labor and travel reimbursed at 65 or 75% of the published shop rate.*





***“The Power of Clean”***

**PowerBoss Is A Full Line Manufacturer Of Sweepers and Scrubbers For Industrial Facilities.**

PowerBoss, Inc 175 Anderson Street P.O. Box 1227- Aberdeen North Carolina 28315

Phone: 800-982-7141 - Fax: 1-800-277-7141 Local: 910-944-2105 Fax: 910-944-7409 e-mail: [techsupport@powerboss.com](mailto:techsupport@powerboss.com)

**A Member Of The Hako Group**